



TESTED BY:

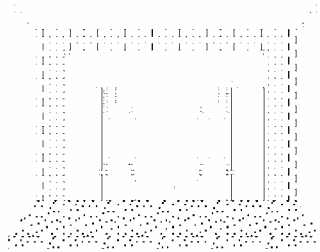


Owner's Manual

Direct Vent Gas Masonry Insert

***Installation * Operation * Service * Parts ***

Model Number: DV1-M1



Appliance Type: Direct Vent Gas Stove Heater for installation in solid fuel fireplace.
Test Standard: Harmonized, ANSI Z21.88 CSA 2.33/2002, CAN/CGA 2.17

Proper installation, operation and maintenance procedures are critical to all gas fired appliances. Please read this manual thoroughly and retain for future use.

WARNING: If the information in these instructions is not followed exactly, a fire or explosion may result causing property damage, personal injury or loss of life

- Do not store or use gasoline or other flammable vapours and liquids in the vicinity of this or any other appliance.
- **WHAT TO DO IF YOU SMELL GAS**
 - Do not try to light any appliance
 - Do not touch electrical switches' do not use the phone in your building.
 - Immediately call your gas supplier from a neighbour's phone.
 - Follow your gas supplier's instructions.
 - If you cannot reach your gas supplier, call the fire department.
- Installation and service must be performed by a qualified installer, service agency or gas supplier.

This appliance may be installed in an aftermarket permanently located, manufactured (mobile) home, where not prohibited by local codes.

This appliance is only for use with other gases, unless a certified kit is used.

APR Industries Ltd. 1354 Waverley Street, Winnipeg, Manitoba, Canada, R3T 0P5
Tel. (204) 452-9907 Fax (204) 453-2747 Email: mail@kozistoves.com

Rev. June 2006

KOZI DIRECT VENT GAS INSERT

TABLE OF CONTENTS

Installation and Operation Manual.....	3
Instructions for Safe Installation and Operation.....	3
Electrical Requirements	3
Gas Requirements	4
Venting Requirements.....	4
Fireplace Requirements and Clearances to Combustibles	5
Safety Certification Information	6
Installation	7
Firebox Preparation.....	7
Venting Installation.....	7
Insert Installation	8
Your First Fire	9
Log Installation	10
Surround Assembly.....	11
Operating Instructions	12
Lighting Procedure	13
Shutdown Instructions.....	13
Blower Operation	13
Maintenance.....	14
Log Replacement.....	15
Glass Replacement.....	15
Fuel Conversion Instructions.....	16
Electrical and Gas Valve Millivolt Diagrams	18
General Layout and Parts Listing	19
Warranty Information.....	21

Installation and Operation Manual

This insert is suitable for installation in Masonry and Factory Built Zero Clearance Fireplaces. Read all instructions carefully before starting any installation. **Save this manual for future reference.**

Instructions for Safe Installation and Operation

1. Read these instructions carefully. Failure to follow them could cause malfunction of the stove, resulting in damage to the unit, property damage, bodily injury and even death.
2. Familiarise yourself with the insert operation. If you are not sure, ask your dealer to explain to you the proper operation.
3. Under no circumstances should this unit be modified or altered whatsoever during the installation and operation of this appliance.
4. Check with the local code authority regarding restrictions or installation requirements. This appliance must be installed by a qualified technician. The installation must conform with local codes, with the National Fuel Gas Code, ANSI Z223.a/NFPA 54, or the Natural Gas and Propane Installation Code, CSA B149.1.
5. Use only Listed APR venting system. This gas insert can and must only be attached to a dedicated venting system. Under no circumstances can more than one appliance share the same flue pipe or venting. This gas appliance must not be connected to a chimney flue serving a separate solid-fuel burning appliance. Never vent into another room or inside a building.
6. This insert is Direct Vented. The fresh combustion air required by this gas stove is drawn from outside the building through the intake flue venting. Therefore, there is no need for extra provisions to increase the air inside the room containing the appliance.
7. Do not use this appliance if any part has been under water. Immediately call a qualified service technician to inspect the appliance and to replace any part of the control system and any gas control which has been under water.
8. Follow this manual carefully for proper installation. If you are uncertain, call your dealer. Most of the dealers have qualified and trained installers. We highly recommend the use of their services

Electrical Requirements

This stove is an electrical appliance and requires 120 Volt – 1.3 Amp @ 60 Hz electrical supply.

This stove comes with a 6 ft. (1.8 M) long, grounded electrical cord suitable to plug-in any standard residential electrical outlet. The appliance, when installed, must be electrically grounded in accordance with local codes or, in the absence of local codes, with the National Electrical Code, ANSI/NFPA 70, or the Canadian Electrical Code, CSA C22.1.

WARNING

Electrical Grounding Instructions

This appliance is equipped with a three-prong (grounding) plug for your protection against shock hazard and should be plugged directly into a properly grounded three-prong receptacle. Do not cut or remove the grounding prong from this plug.

KOZI DIRECT VENT GAS INSERT

Gas Requirements

This unit has been certified for use with both Natural Gas (NG) or Liquid Propane (LP). The following is a chart for the minimum and maximum supply pressures.

Gas	Minimum Supply Pressure	Normal Supply Pressure	Maximum Supply Pressure
Natural Gas (NG)	5.0" W.C	7.0" W.C.	8.0" W.C
Propane (LP)	10.5" W.C.	11.5" W.C.	13.0" W.C.

The gas valve has its own internal regulator which reduces the pressure within the following ranges: 0.9 to 3.5" W.C. for natural gas and 2.5 to 10.0" W.C. for propane.

The gas connection provided with this unit is a flexible connector and is easily accessible through the rear, side and bottom of the stove or by opening the side door panel and reaching in through the access hole. The gas line can also be rigid pipe, if so desired. To make the installation easier, use the flexible connector and manual shutoff valves necessary, according to the local building codes.

Pressure taps are provided for checking the inlet and outlet gas pressure. The taps are located on the front of the valve body.

The appliance and its appliance main gas valve must be disconnected from the gas supply piping system during any pressure testing of that system at test pressures in excess of ½ psi (3.5 kPa).

The appliance must be isolated from the gas supply piping system by closing its equipment shutoff valve during any pressure testing of the gas supply piping system at test pressures equal to or less than ½ psi (3.5 kPa).

Venting Requirements

This stove has been tested and certified with the following venting kits and their components. Only the parts listed below can be used for the installation of this appliance.

Venting Kit #DV1-MVK1 – venting installations under 15 ft. vertical rise

Venting Kit #DV1-MVK2 – venting installations over 15 ft. and under 30 ft. vertical rise.

Each of the above kits contains the following components:

- One Vent Terminal Cap
- One Terminal Adapter Box
- Two 3" diameter 2 ply Aluminum flex pipes of suitable length
- Four 3" Stainless Steel adjustable hose clamps, and sheet metal screws
- High temperature sealant

Installers may be required to provide a Chimney Cover Plate for certain installations.

Venting terminals shall not be recessed into a wall or siding.

KOZI DIRECT VENT GAS INSERT

WARNING:

Extra caution must be taken when cutting the flex pipe to the proper length. Do not cut the flex pipes too short, allow for extra length and trim the excess later.

Fireplace Requirements and Clearances to Combustibles

Description	Width	Height	Depth
Minimum Fireplace Opening	22"	20.5"	16"
Maximum Opening With Surround #1	39"	29"	
Maximum Opening With Surround #2	45"	32"	
Minimum Clearance To Combustibles			
Top Of Unit To Mantle		18"	
Side Of Unit To Wall		10"	

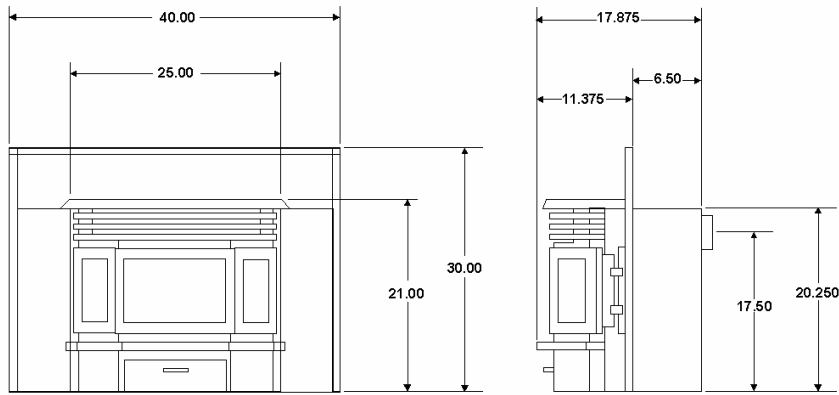


Figure: 1 – Overall dimensions of the KOZI DV1-MI Gas Insert with Surround #1

Safety Certification Information

Provided below is a copy of the **KOZI Direct Vent Gas Insert** safety label. The safety label is located on the panel that can be pulled out from the control compartment.

Note: Due to constant development, **KOZI** units and technologies are consistently being upgraded. Please ensure that the label contained on this page is the same as the label on your gas appliance. If there are any discrepancies, the label presented below is correct.

WARNOCK HERSEY



Listed: Gravity Direct Vent Gas Masonry Insert
 Tested to: CANI-2.19-M81, CGA IR No. 41-M91
 © CGA IR No. 55 rev 1, ANSI Z21.44-1995
 Certified for: Canada and U.S.A.
 Report No: 476-1324-00 (October 1996)

KOZI
 Quality Hearth Products

Serial No. / No de serie

WH-U-DV1-MI-

DO NOT REMOVE THIS LABEL / NE PAS ENLEVER CETTE ÉTIQUETTE

THIS GAS FIRED APPLIANCE HAS BEEN EQUIPPED FOR: NATURAL GAS PROPANE

NATURAL GAS STOVE: Model DV1-MI-NG

APPAREIL FONCTIONNANT AU GAZ NATUREL
 CONCU POUR ÊTRE POËLE: Modèle DV1-MI-NG

Minimum Supply Pressure: 5.0" w.c. / c.e.
 Manifold Pressure: 3.5" high / 1.0" low (w.c. / c.e.)
 Orifice Size: 35 DMS (0-4500 ft / 0-1372 M)
 Input Maximum: 35,000 btu/h (10.25 Kw)
 Input Minimum: 18,000 btu/h (5.27 Kw)
 Output Fan On: 26,950 btu/h (7.89 Kw)
 Output Fan Off: 26,250 btu/h (7.69 Kw)

Pression d'alimentation minimum
 Pression à la tubulure d'alimentation
 Grandeur de l'injecteur
 Pression Maximum D'Arrivée Au Gaz 0-4500 Pi
 Pression Minimum D'Arrivée Au Gaz 0-4500 Pi
 Débit Calorifique - Ventilateur en Marche
 Débit Calorifique - Ventilateur Éteint

PROPANE GAS STOVE: Model DV1-MI-LP

APPAREIL FONCTIONNANT AU GAZ PROPANE
 CONCU POUR ÊTRE POËLE: Modèle DV1-MI-LP

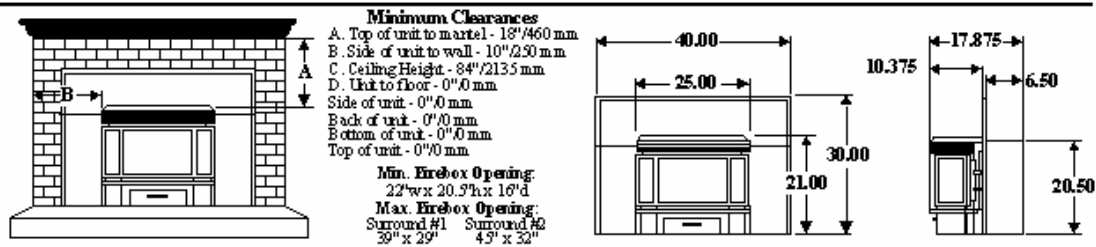
Minimum Supply Pressure: 10.5" w.c. / c.e.
 Manifold Pressure: 10.0" high / 2.7" low (w.c. / c.e.)
 Orifice Size: 51 DMS (0-4500 ft / 0-1372 M)
 Input Maximum: 33,000 btu/h (9.66 Kw)
 Input Minimum: 16,000 btu/h (4.68 Kw)
 Output Fan On: 25,410 btu/h (7.44 Kw)
 Output Fan Off: 24,750 btu/h (7.25 Kw)

Pression d'alimentation minimum
 Pression à la tubulure d'alimentation
 Grandeur de l'injecteur
 Pression Maximum D'Arrivée Au Gaz 0-4500 Pi
 Pression Minimum D'Arrivée Au Gaz 0-4500 Pi
 Débit Calorifique - Ventilateur en Marche
 Débit Calorifique - Ventilateur Éteint

Venting: Use Only Listed Direct Vent System And Components As Supplied By APR Industries Ltd. And Install In Accordance With The Manufacturer's Installation Instructions. This Appliance Must Be Installed In Accordance With Local Codes, If Any, If Not, Follow ANSI Z223.1 In U.S.A. Or CAN/CGA B149 In Canada. This Appliance, When Installed, Must Be Electrically Grounded In Accordance With Local Codes, If Any; If Not, Follow The Current ANSI / NFPA 70 In U.S.A. Or CSA C22.1 In Canada.

Ventilation: Utilisez seulement le système de ventilation directe et ses composants qui sont fournis par APR Industries Ltd. et veuillez les installer conformément aux instructions d'installation. Cet appareil doit être installé en conformité avec les codes locaux, s'il y en a; sinon, veuillez suivre les directions ANSI Z223-1 aux états-Unis ou CAN/C.A. B149 au Canada. Cet appareil doit être électriquement mis à terre en conformité avec les codes locaux, s'il y en a, sinon, veuillez suivre les directions courantes ANSI/NFPA 70 aux états-Unis ou CSA C22.1 au Canada.

Electrical Supply 115V, 1.53 A, 60 Hz Alimentation électrique
 NOT FOR USE WITH SOLID FUEL. NE DOIT ÊTRE UTILISÉ AVEC UN COMBUSTIBLE SOLIDE.



This Appliance Has Been Tested And Certified For Installation In Solid Fuel Burning Fireplaces.

Only For Direct Discharge Without Duct Connection.

Cet appareil a été testé et certifié pour l'installation dans tous les foyers à combustible solide.

Seulement pour la décharge directe sans jonction de canalisation.

Manufactured in Canada: APR Industries Ltd. Winnipeg, Manitoba : Fabrique Au Canada

Figure: 3 – Sample Safety Rating Plate – DV1-MI Series

Installation

- Inspect all components for shipping damage. Any damaged parts must be replaced prior to installation.
- Ensure provisions have been made to supply a gas line to the fireplace.
- Ensure provisions have been made to supply an electrical power source for the circulation fan.
- Ensure that the minimum fireplace opening requirements have been satisfied.

DO NOT USE MAKESHIFT MATERIALS OR COMPROMISES IN THE INSTALLATION, IT IS A FIRE HAZARD

Firebox Preparation

It is recommended that the following steps be taken to properly prepare the firebox for installation of the Gas Insert.

1. Remove the old chimney cap from the top of the chimney.
2. Remove the chimney damper wherever possible. If this is not practical, lock the damper permanently in the open position.
3. Remove all soot and creosote from the inside surface of the firebox and chimney.
4. Vacuum firebox thoroughly, ensuring that all dirt and dust has been removed from the firebox.
5. Seal firebox walls with the appropriate sealer.

For Your Information:

The extra cleaning required before you install the insert into the firebox is essential because of the circulation fan mounted inside the unit. This fan will pick up the odor from the creosote as well as any dust and dirt particles from within the firebox and distribute it throughout the house.

Venting Installation

A typical Insert installation in a masonry fireplace is shown in Figure 3. The following set of instructions will prepare the venting system for installation.

1. Measure the distance between the top of the chimney and the floor of the fireplace.
2. Cut the two 3" diameter flex pipes to this length. **Maximum allowable length of the flex pipe venting is 30 feet.** After the piping has been cut, mark both ends of one pipe as **Intake**, and both ends of the other pipe as **Exhaust**. This is important so you do not mistakenly confuse the two pipes when installing to the insert.
3. Apply a bead of high temperature sealant to the 3" crimped edge on the terminal cap, and the 7" crimped edge on the adapter box. Connect the vent terminal to the adapter box

WARNING:

All Flex Pipes Must Be Properly Affixed To The Flue Collar With The Hose Clamps And Metal Screws Provided. Failure To Comply May Result In Unsafe Operating Conditions, Serious Injury And Possible Loss Of Life.

KOZI DIRECT VENT GAS INSERT

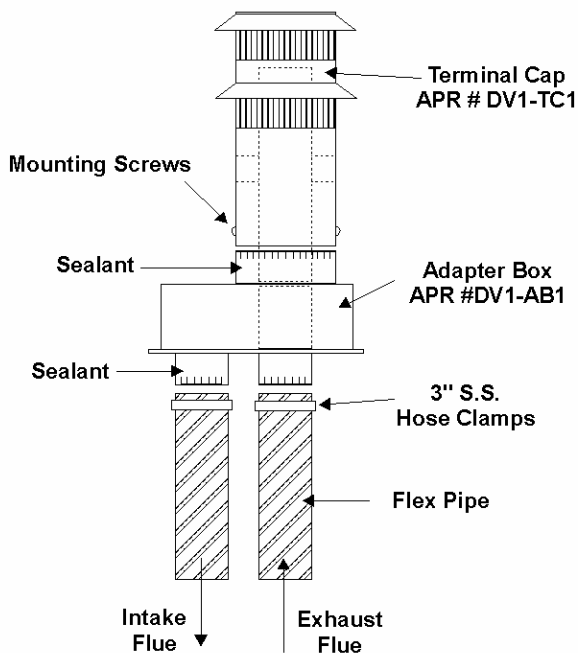


Figure: 2 – Assembly diagram of venting components

as shown in Figure 2. Ensure the joint is properly sealed, at both the intake and exhaust connection for airtight operation. **Secure the terminal to the adapter box with three sheet metal screws.**

4. Apply a bead of high temperature sealant to the two 3" crimped edges of intake and exhaust collars on the bottom of the adapter box. Insert the intake vent pipe to the intake collar fully. Secure the pipe to the collar with a 3" adjustable hose clamp. Repeat this last step for the exhaust pipe. **As an additional precaution against accidental disconnection, install two sheet metal screws on each collar through the flex pipe.**
5. If necessary, fasten a cover plate to the top of the chimney in order to secure the adapter box to the chimney. Ensure this cover plate has been properly sealed to prevent any leakage.
6. Carefully feed the two loose ends of the flex pipes down the chimney opening until the bottom plate of the adapter box rests on top of the chimney cover plate. Fasten the adapter box to the chimney.

Insert Installation

1. From the rear of the insert, connect a flexible gas line to the gas valve using the appropriate thread sealant to ensure a sealed joint.
2. Carefully place the insert on the hearth, in front of the fireplace opening. The insert should be placed as close to the opening as possible, leaving enough room to gain access for the remaining connections.
3. Connect the flexible gas line to the gas supply. Again, use the proper thread sealant to ensure that there are no leaks present.
4. Remove the wire tie from the electrical cord, located at the rear of the insert. Plug this cord into an electrical outlet to supply power to the unit.
5. Locate the flex pipes inside the chimney and pull them towards the insert. Trim any excess pipe. **Downward looping of the exhaust and intake venting is not permitted. Please refer to Figure 4 for further details.**

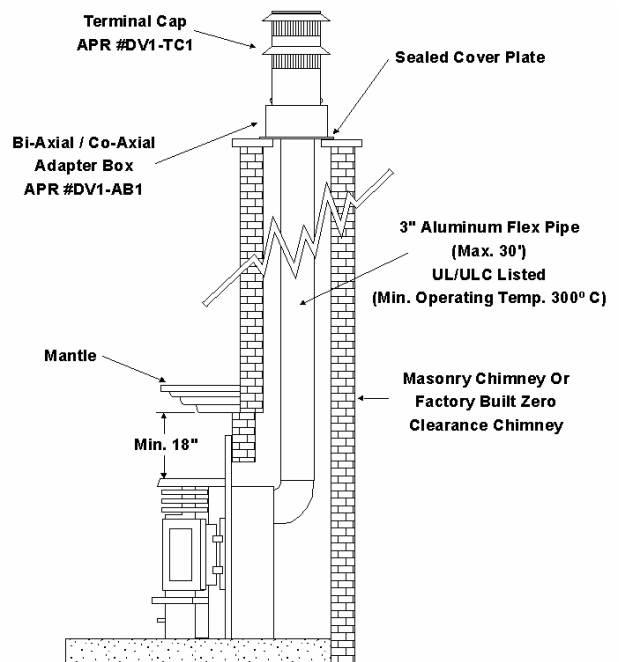
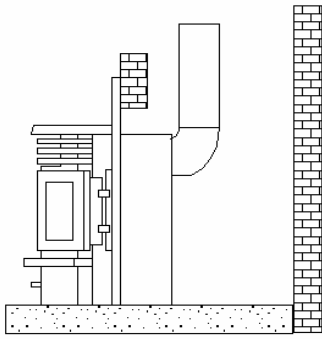


Figure: 3 – Diagram of a typical insert installation

KOZI DIRECT VENT GAS INSERT

Proper Vent Configuration



Faulty Vent Configuration

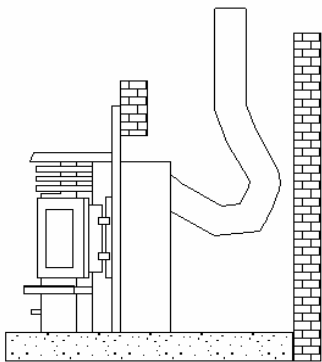


Figure: 4 – Diagram showing proper and improper installations.

6. Apply a bead of high temperature sealant to the intake and exhaust collars located on the back of the insert. Fully connect the intake venting pipe to the intake collar, and the exhaust venting pipe to the exhaust collar. **Extra caution is necessary to ensure the proper venting is connected to the appropriate venting collars.** Secure the flex pipes in place with two 3" adjustable hose clamps. Install sheet metal screws through the flex pipes and collars to ensure permanent connection.
7. Assemble the surround package (see Surround Assembly section).
8. Place the surround in front of the fireplace opening.
9. Slide the insert into the fireplace opening completely until the insert rests firmly against the surround.

WARNING:

The Gas Appliance And Venting System Must Be Vented Directly To The Outside Of The Building, In Accordance With All Regulatory Requirements, And Never Be Attached To A Chimney Serving A Separate Solid Fuel Or Gas Burning Appliance.

Your First Fire

This section of the manual has been included as a last check for the installer, prior to leaving the unit with the new owner. Please read all steps fully and ensure that they have been satisfied.

1. Visually inspect the installation of the insert, and ensure that everything is in accordance with the previous instructions.
2. Turn the gas supply ON, and check each connection for leakage. If any leaks are detected, proper measures should be taken to repair.
3. Open the control compartment door, and locate the manifold test point on the gas valve. Attach a pressure gauge to this line to test the outlet pressure from the valve.
4. Referring to the operating instructions on how to light the insert, turn the burner ON.
5. Turn the gas valve regulator to the HI position and check the manifold pressure with the gauge. This pressure should be: 3.5" w.c. for Natural Gas, and 10" w.c. for Liquid Propane. If the pressure exceeds these values, replacement /

KOZI DIRECT VENT GAS INSERT

adjustment of the regulator is required. Please contact a factory technician immediately.

6. Referring to the section on installing the log set, place the logs in their proper locations on the burner.
7. Clean the gold door and all gold trim with a non-abrasive cream cleaner. If you do not remove all smudge marks or fingerprints from the gold plating prior to your first fire, it will become permanently tarnished.

Important:

The paint used throughout this unit is not completely cured until it has been fired. To aid in this process, fire the unit on high. Keep the room well ventilated to discharge odors. You may have to repeat this process several times.

Log Installation

1. Turn the burner switch to OFF. Turn the gas valve OFF. Allow the unit time to cool.
2. Remove the side panels of the stove by pulling them away from the unit wall. These panels are held in place by two magnets on each side.
3. Loosen the door mount bolts from both sides of the door. Remove the glass door assembly.
4. Place the logset on top of the burner so that the bottom corner of the logset rests against the corner bend of the burner, as shown in Figure 5.

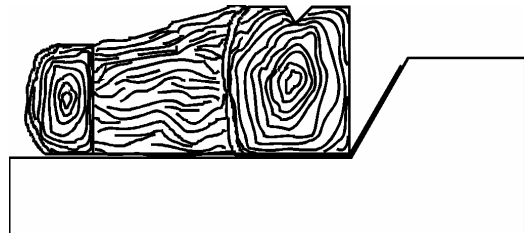


Figure: 5 – Side view of burner and log placement.

5. Center the logset to the burner, as shown in Figure 6.
6. **Dangerous operating conditions may result if the logs are not positioned properly. If the logs appear broken or damaged, DO NOT use this appliance until they have been replaced.**

KOZI DIRECT VENT GAS INSERT

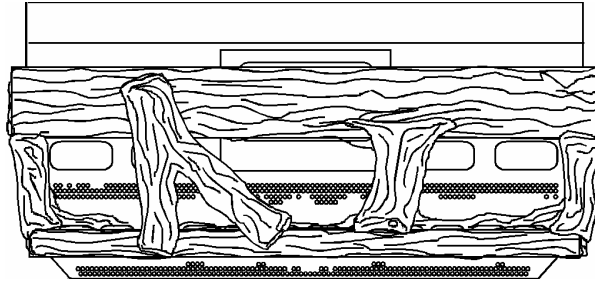
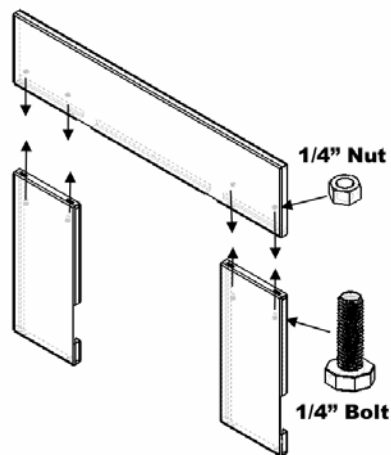


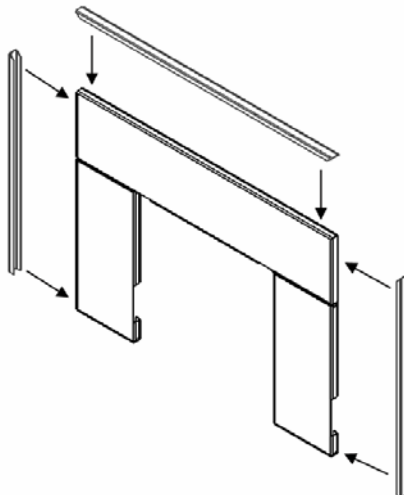
Figure: 6 – Top view of the correctly positioned logset.

Surround Assembly

1. Assemble the surround as shown in the diagram provided below. Make sure to fasten the nut to the bolt securely.



1. Attach the brass trim to the surround as shown in the diagram provided below.



Operating Instructions

WARNING:

- This Stove Is A Direct Vent Gas-Fired Space Heater. Do Not Burn Wood Or Any Other Combustible Materials In This Appliance.
- Adults And Children Should Be Made Aware Of The Potential Hazards And Dangers Involved With This Stove. This Appliance Is Capable Of High Surface Temperatures. To Avoid Burns Or Ignition Of Clothing, Stay Away From The Unit While In Operation And Supervise Younger Children When They Are Occupying The Same Room As The Stove.
- Due To High Temperatures, The Appliance Should Be Located Out Of Traffic And Away From Furniture And Draperies.
- Clothing Or Other Flammable Materials Should Not Be Placed On Or Near The Appliance.
- Any And All Equipment Removed From This Unit For Maintenance Or Servicing Must Be Reinstalled Prior To Further Operation Of This Unit.
- Under No Circumstances Should This Unit Be Modified Or Altered Whatsoever.
- Do Not Use This Appliance If Any Part Has Been Under Water. Immediately Call A Qualified Service Technician To Inspect The Appliance And To Replace Any Part Of The Control System And Any Gas Control Which Has Been Under Water.
- Do Not Operate This Appliance With The Glass Door Removed, Cracked Or Broken. Replacement Of The Glass Or Any Other Door Components Should Be Attempted Only By A Qualified Technician.
- Installation And Repair Should Be Done By A Qualified Service Person. The Appliance Should B Inspected Before Use and At Least Annually By A Professional Service Person. More Frequent Cleaning May Be Required Due To Excessive Lint From Carpeting, Bedding Material, Et Cetera. It Is Imperative That Control Compartments, Burners And Circulating Air Passageways Of The Appliance Be Kept Clean.

IMPORTANT:

The Gas Valve Installed On This Unit Is Equipped With A Seated Cock Valve And Will Not Turn From Pilot To Off Without Being Disconnected.

Lighting Procedure

1. Open control compartment door to gain access to the gas valve. Turn the Main Burner switch to the OFF position.
2. Rotate the gas valve control knob to the OFF position.
3. Rotate the gas valve control knob to the PILOT position. Depress the control knob totally and hold this position while depressing the red igniter button until the pilot lights.
4. Once the pilot flame is detected, continue to hold this position for approximately one minute, and then release the gas valve control knob. The pilot flame should continue to burn. If the pilot goes out, repeat this step increasing the depression time before releasing.
5. Rotate the control knob counter clockwise into the ON position.
6. The burner may now be switched ON by using the burner ON/OFF switch.
7. Adjust the variable gas regulator to establish the desired heat output or flame height.
8. Close the control compartment door while operating the unit.

Shutdown Instructions

1. Open the control compartment door.
2. Turn the burner switch to the OFF position. This will turn off the main flames while leaving the pilot on.
3. If a complete shutdown is required or desired, turn the control knob to the OFF position. Otherwise, this unit is completely safe if left on PILOT.

Blower Operation

- Your insert has a factory installed blower unit.
- The blower is controlled by a variable speed rheostat found on the control panel.
- The insert fire must be turned on for approximately 10 to 15 minutes before the blower will activate. This allows the air chamber to preheat. Having the blower operate too early would result in blowing cool air into the room.
- Once the warm up period has passed, the blower can be activated by turning the control knob in a clockwise rotation. Highest speed is achieved as soon as the
- Rheostat is turned on; lowest speed is at full clockwise position.
- The blower speed may be adjusted to suit your needs in terms of air output and

KOZI DIRECT VENT GAS INSERT

sound level. It is highly recommended that the blower never be shut off.

- If desired, the blower may be allowed to run even after the fire has been turned off. The blower will automatically shut off once the insert has cooled.
- Although the blower system is not necessary for good heat output, it is highly recommended that the blower never be turned off but rather left on low if additional heat is not required.
- A copy of the circuit diagram of the blower system can be seen in the Electrical and Gas Valve Millivolt Circuit Diagram section.

Maintenance

WARNING:

It Is Extremely Important That The Controls Compartment, Blower Area And Venting System Be Kept Clean. The Stove And Its Venting System Should Be Annually Inspected By Qualified Personnel.

CAUTION:

Any Safety Screen, Shield Or Guard Removed For Servicing The Appliance Must Be Replaced Before Further Operation Of The Appliance Is Attempted.

The Stove Area Must Be Kept Clean Of All Flammable Materials, Vapours And Liquids.

Any Damaged Components Should Only Be Replaced With Authorized Parts Specified By The Manufacturer Of Your Local KOZI Dealer. The Use Of Substitute Parts Can Alter The Performance Characteristics Of This Unit And Could Cause Serious Health And Safety Conditions To Arise.

- It is recommended that only a qualified service agent perform any maintenance and/or service. Contact your **KOZI** dealer for referrals.
- Always keep the general vicinity around the appliance clean and free of combustible materials, liquids, and vapours or other flammable products.
- Regularly inspect the burner for proper condition and position. Visually inspect the flames while burning, insuring that the flames remain stable and are not lifting or ghosting. Periodically check the pilot flames to ensure that they are strong blue flames approximately ½" to ¾" long.
- Always turn off the gas valve before cleaning. When re-lighting the unit, refer back to the instructions on the previous pages. Maintain a clean; dust free burner environment and control compartment by vacuuming or brushing out annually. When

KOZI DIRECT VENT GAS INSERT

the logs are being cleaned, use a very soft paintbrush, as the logs are fragile and can be easily damaged.

- Always clean the glass doors when the unit is cold. Never clean when hot. Wipe glass, grill, door and appliance with a non-linting soft damp cloth. Avoid the use of abrasive cleansers. The plated door and grill may scratch if abrasives are used.
- This appliance and venting system must be inspected prior to use; and at least annually thereafter by a qualified technician or service agent, to ensure that the flow of combustion and ventilation air remains unobstructed and the venting remains structurally sound. Visually inspect the flue connection. This may require pulling the stove out from the fireplace opening. If the venting needs to be removed for cleaning, make sure to reassemble and reseal the venting according to the steps discussed in the Venting Installation section earlier in this manual. During the annual service calls the burner should be removed and cleaned. Take extra caution not to block the pilot assembly.
- The glass doorframe and the grill have been plated with 24-carat gold. When cleaning is required, use only a soft damp cloth to wipe the surfaces when the unit is cold. Never attempt to clean the unit when hot.
- Inspect the door gasket regularly, and if it requires replacing, use $\frac{3}{4}$ " fibre glass braided rope. (APR # DV1-605)

Log Replacement

If replacement logs are required, you must use only the proper log sets which have been tested and certified for use with the **KOZI DV1-MI Direct Vent Gas Insert**. For details on how to obtain replacement logs, contact the manufacturer or your local **KOZI** dealer.

Glass Replacement

This **KOZI DV1-MI Direct Vent Gas Insert** has been tested and certified with high-temperature ceramic glass panels for your protection. This ceramic glass has been engineered to withstand the highest temperatures your appliance will produce. If however, this glass is shattered or cracked due to impact or collision, do not use the insert. The complete window and frame assembly must be replaced with a new or rebuilt assembly as supplied by the manufacturer or dealer. Only doors certified with the appliance by the manufacturer can be used. Broken or damaged glazing should be removed with care (using gloves) to avoid injury.

Replacement parts should only be obtained directly from authorized **KOZI** dealers or the manufacturer. Substitutes are **NOT** permitted. Substituting materials for repair or replacement other than as suggested or supplied by the dealer or manufacturer could cause a safety hazard.

The ceramic glass window is very strong but should not be abused by striking it, slamming it or any inappropriate actions.

KOZI DIRECT VENT GAS INSERT

WARNING: DO NOT OPERATE APPLIANCE WITH THE GLASS FRONT REMOVED, CRACKED OR BROKEN. REPLACEMENT OF THE GLASS SHOULD BE DONE BY A LICENSED OR QUALIFIED SERVICE PERSON.

Fuel Conversion Instructions

IMPORTANT:

It is recommended that a qualified service agent, technician or your local KOZI dealer conduct all conversion attempts.

WARNING:

Read the following instructions fully and to completion prior to starting the conversion. Leakage testing must be performed at every gas connection that has been altered.

Before you begin this alteration, check the conversion kit to ensure all of the components are present. The list below summarises the 5 components included in the kit.

- Gas Valve Regulator – LP (red label), NG (white label)
- Pilot Orifice
- Burner Orifice
- Instruction Sheet
- Conversion Decal

If all parts are present and accounted for, continue with the following instructions.

1. Turn the main burner switch OFF, turn the gas control knob to the OFF position, and allow time for the unit to cool. Turn OFF or disconnect the gas supply to the unit. Unplug the electrical power cord from the wall outlet.
2. Open the control compartment door to gain access to the gas valve assembly. With a proper screwdriver, remove and discard the old gas valve regulator and gasket from the valve assembly by removing the 2 mounting screws. Install the new RB regulator and gasket with the new screws supplied. Tighten screws securely. Place the small conversion sticker supplied with the new regulator on the plate directly underneath the gas valve, in plain view of the operator.
3. Remove the side door panels. Remove the glass door from the unit, using extra caution not to scratch the gold finish. Gently place the door on a soft, non-abrasive surface, be careful not to drop the door.
4. Carefully remove the ceramic fibre logset from the burner assembly, and place them out of the way.

KOZI DIRECT VENT GAS INSERT

5. Remove the burner assembly by first lifting the front of the burner up, and then pull the entire burner forward. Place the burner beside the appliance for easy access.
6. From inside the burn chamber, locate the pilot assembly depicted in the diagram on the following page. Using a wrench, unscrew the Pilot Hood from the Pilot Assembly. Carefully remove the Pilot Hood to allow the removal of the Pilot Orifice. Remove the orifice and replace it with the new orifice supplied in the conversion kit. Replace Pilot Hood and tighten securely.
7. Locate the main burner orifice, and loosen the orifice from the gas supply line using the appropriate wrenches. Once loose, remove the orifice mounting bracket screws to enable you to remove the mounting bracket entirely. With the bracket removed, unscrew the burner orifice completely. Replace with the new orifice supplied, after placing sealant on the orifice threads. Tighten finger tight. Replace the orifice mounting bracket and tighten the screws securely. Tighten the new orifice completely.

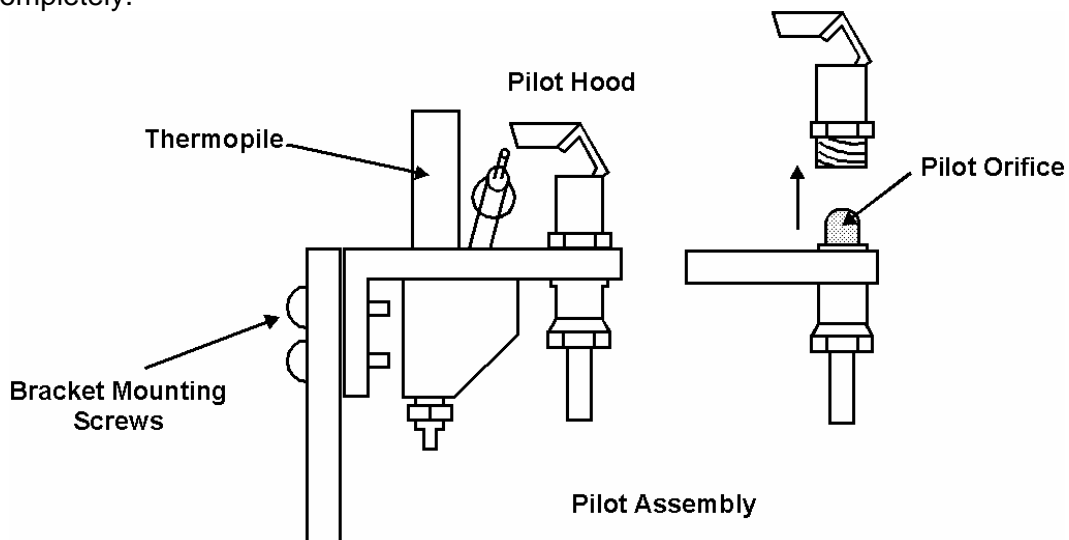


Figure: 7 - Schematic illustration of the Pilot Assembly and components.

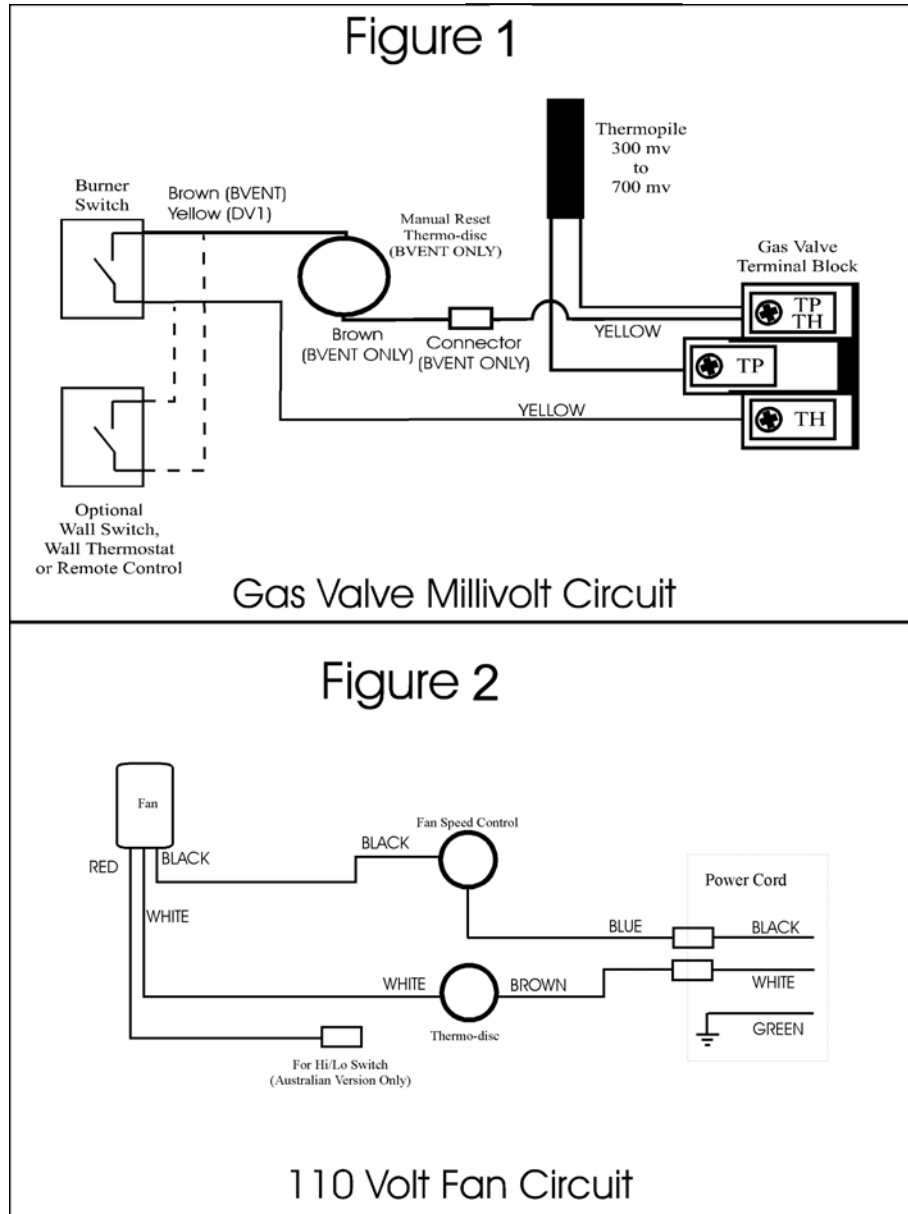
8. Adjust the primary air setting on the burner assembly by loosening and turning the set collar on the burner venturi tube. This should be set to **approximately ¼" opening for Natural Gas, and ½" opening for Liquid Propane**. Tighten the set screw before replacing the burner assembly back into the unit. Remove the access panel from the burner prior to replacing the unit, as this allows for proper alignment of the burner to the orifice. Locate the burner in its proper location in the unit. Replace the logs, glass door and side door panels.
9. Reconnect and turn the gas supply ON, testing for gas leaks at each new component location. Seal any and all leaks detected. Plug the electrical cord into the wall outlet.
10. Fill out the conversion decal supplied with the kit and place it on the inside of the side door panel in plain sight, where convenient. Ensure that all applicable information is listed. Check the new regulator for proper operation on both the HI and LO settings.

**IF THERE ARE ANY PROBLEMS ENCOUNTERED DURING THE CONVERSION,
PLEASE CONTACT A KOZI DEALER IMMEDIATELY.**

Electrical and Gas Valve Millivolt Diagrams

Shown below are the wiring schematics for the blower and gas valve assemblies.

CAUTION: Label all wires prior to disconnection when servicing controls. Wiring errors can cause improper and dangerous operation. Verify proper operation after servicing.



KOZI DIRECT VENT GAS INSERT

General Layout and Parts Listing

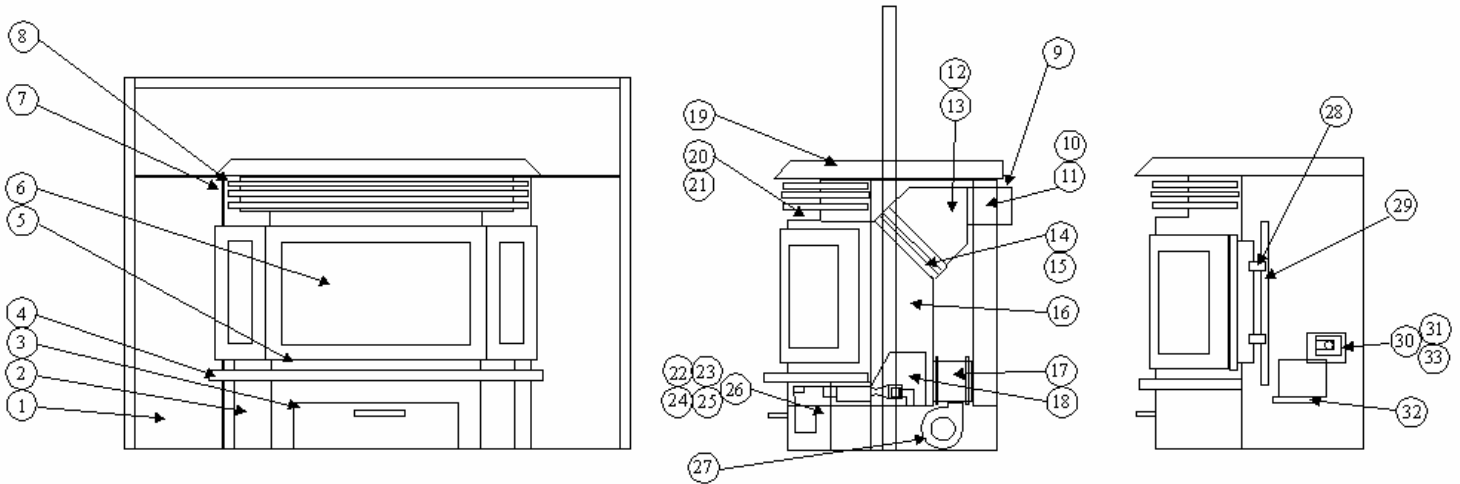


Figure: 8 - General Layout of **KOZI DV1-MI**

Item Number	Part Number	Description
1	DV1-MI-1	Surround Assembly
	DV1-MI-101	Top Surround Panel
	DV1-MI-102	Side Surround Panel
	DV1-MI-103	Trim Moulding Side
	DV1-MI-104	Trim Moulding Top
	DV1-105	KOZI Logo
2	DV1-2	Burner Body Assembly
3	DV1-3	Control Door Assembly
	DV1-301	Door Handle
4	DV1-4	Hearth
5	DV1-5	Door Support
6	DV1-6	Glass Door Assembly
	DV1-601	Door Frame
	DV1-602	Center Glass Holder
	DV1-603	Side Glass Holder
	DV1-604	End Glass Holder
	DV1-605	Door Rope
	DV1-606	Glass Gasket
	DV1-MI-608	Door Mounting Plate – Right & Left
	DV1-609	Side Glass
	DV1-610	Center Glass

KOZI DIRECT VENT GAS INSERT

7	DV1-MI-7 (R&L)	Side Door Panel – Right & Left
Item Number	Part Number	Description
8	DV1-8	Grill Assembly
9	DV1-MI-9	Flue Adapter
10	DV1-MI-10	Airbox Assembly
11	DV1-11	Airbox Gasket
12	DV1-MI-12	Heat Exchanger Assembly
13	DV1-MI-13	Heat Exchanger Gasket
14	DV1-14	Heat Shield
15	DVI-15	Heat Shield Insulation
16	DV1-16R	Right Side Heat Shield
	DV1-16L	Left Side Heat Shield
17	DV1-17	Airtube Assembly
	DV1-1703	Airtube Gasket
18	DV1-18	Burner Assembly
	DV1-1802	Burner Cover Plate
	DV1-1808	Front Log Holder
19	DV1-MI-19	Lid Assembly
20	DV1-20	Explosion Gate Assembly
	DV1-2003	Explosion Gate Gasket
21	DV1-21	Explosion Gate Bracket
22	DV1-22	Mounting Plate Assembly
	DV1-2202	Gas Valve Mounting Bracket
	DV1-2203	Gas Orifice Mounting Bracket
	DV1-2204	Pilot Assembly Mounting Bracket
23	DV1-23	Valve Plate Gasket
24	DV1-24	Control Panel Assembly
	DV1-2402	Door Magnet
	DV1-2403	Piezo Igniter
	DV1-2404	Burner Control Switch
	DV1-2405	Fan Control Switch
25	DV1-25	Gas Valve Regulator
26	DV1-26	Pilot Assembly
27	DV1-27	Dual Speed Blower
28	DV1-2402	Door Magnet
29	DV1-MI-29	Door Mounting Bracket
30	DV1-30	Thermal Disc Mounting Bracket
31	DV1-31	Thermal Disc Fan Control
32	DV1-32	Surround Bracket
33	DV1-33	Thermal Disc Cover
Misc.	DV1-TC1	Vent Terminal Cap
Misc.	DV1-AB1	Adapter Box
Misc.	DV1-LOG	DV1 Ceramic Log Set

Warranty Information

General Statement

APR Industries Ltd. manufactures its products to the highest standards available at the time of printing. Our Total Quality Management system calls for production inspections throughout the various stages of manufacturing, as well as the firing of each unit prior to leaving our plant. APR Industries Ltd. is very pleased to offer the following terms and conditions of warranty to the **original purchaser** of this **KOZI BV1 Natural Vent Gas Stove**.

Heat Exchanger and Combustion Chamber

APR Industries Ltd. will warrant all Combustion Chambers and Heat Exchangers to be free of defects concerning workmanship and material for a period of 5 years from the original purchase date.

Note: Overfiring of this or any other appliance can cause serious damage and it is the responsibility of the installer to ensure that the unit is firing correctly and in accordance with the applicable rating plate. Discoloration and expansion movement of certain parts is normal and will not be covered under warranty.

Gas Valve and Electrical Components

Gas and electrical components such as gas valves, igniters, switches, fans, thermodiscs, etc are covered under warranty for a period of 1 year from the original purchase date.

Venting Components

All venting components are covered by the venting supplier warranty, please see applicable documentation. Please contact your local venting supplier directly.

Conditions and Exclusions

The limited warranty covers defects in materials and workmanship as long as the heater has been installed and operated in accordance to the instruction manual. Warranty is void if this heater is misused. It is the option of APR Industries whether to repair or replace any or all parts in question. All shipping costs to and from the factory will be the responsibility of the consumer.

This warranty will not be extended to Paint & Powder Coating, Glass, Logs, Gaskets, Burners, Gold Plating, Trim, or any part that has been modified or tampered with.