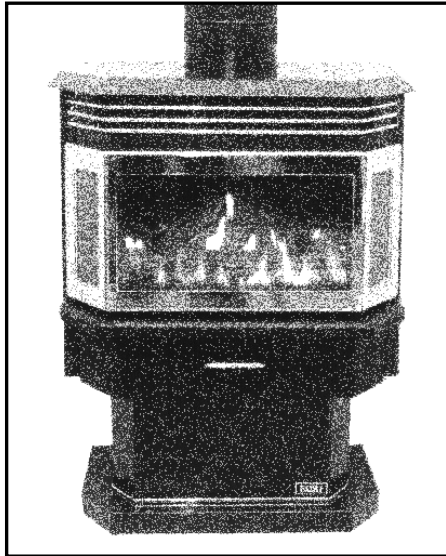


## Owner's Manual

# Direct Vent Freestanding Gas Stove

**\*Installation \* Operation \* Service \* Parts \***



Model Identification:

DV1-FS-\*

\* = NG

Natural Gas

\* = LP

Propane

### **CAUTION:**

Read all instructions carefully before starting the installation or operation of this gas fireplace.

### **WARNING:**

Improper installation, adjustment, alteration, services or maintenance may result in property damage, personal injury or loss of life. This manual may be used for future reference. For assistance or additional information, consult a qualified installer, service agency or your gas supplier.

### **FOR YOUR SAFETY:**

**DO NOT STORE OR USE GASOLINE OR OTHER FLAMMABLE VAPOURS AND LIQUIDS IN THE SAME VICINITY OF THIS OR ANY OTHER APPLIANCE.**

#### **What To Do If You Smell Gas:**

1. Open All Windows.
2. Turn Off Main Gas Supply.
3. Do Not Attempt To Light Any Appliance.
4. Do Not Use Any Electrical Switch Or Phone In The Vicinity.
5. Extinguish All Open Flames.
6. Immediately Contact Your Gas Supplier From A Neighbor's Phone. Follow All Instructions Given.
7. If You Cannot Contact Your Gas Supplier, Call The Fire Department.

**Installation And Service Of This Or Any Other Appliance Must Be Performed By A Qualified Installer, Service Agency, Or Gas Supplier.**

Manufactured By: **APR Industries Ltd.** 1354 Waverly Street, Winnipeg, Manitoba, Canada, R3T 0P5

**Save This Manual For Future Reference**

# KOZI DIRECT VENT GAS STOVE

---

Dear New Owner:

Thank you and Congratulations for the purchase of this **KOZI** Hearth Product. This **Direct Vent Gas** appliance was manufactured by APR Industries Ltd. with the goal of producing a quality hearth product for your comfort and enjoyment.

All variations of the appliance in this series have been approved by Warnock Hersey for performance, safety, and efficiency. Also, we proudly display our **KOZI** logo on these units, which provides you with additional assurance of trouble free, economical and enjoyable operation.

Please be a responsible owner of this appliance and take a few moments to familiarise yourself with the contents of this manual. Safe installation and proper operation instructions may be found within the following pages. Check all local building and fire codes before installing your new appliance. When a qualified installer, service agent or gas supplier has completed the installation, have the unit checked by a local inspector to guarantee safe and proper operation. Disregarding inspection and proper code requirements may jeopardise your homeowner's insurance. Be sure to contact your insurance agent, as many carriers require notification of this type of appliance installation.

We have taken every effort in providing you with complete and easy to follow installation, operation and service instructions. If you should have any further questions or concerns that have not been covered by this manual, please contact your **KOZI** dealer.

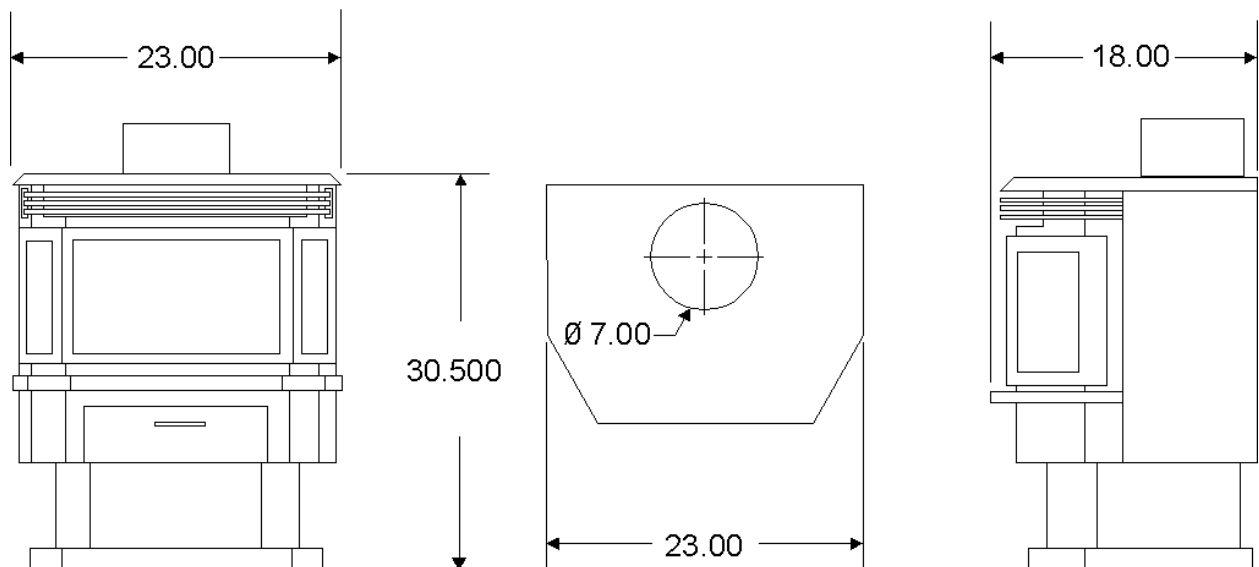


Figure: 1 - Overall Dimensions of the KOZI Direct Vent Freestanding Gas Stove.

## **TABLE OF CONTENTS**

---

---

<b>General Information</b>	
Customer Greeting	2
Overall Unit Dimensions	2
<b>Safety Certification Information</b>	4
<b>Typical Venting Configuration</b>	5
<b>Installation Instructions</b>	6
General Information	7
Locating Your <b>KOZI</b> Gas Stove	8
Clearances to Combustible Surfaces	8
Combustion And Ventilation Air	9
Venting	9
Installation Precautions	10
Venting Configurations – Horizontal Termination	12
Venting Configurations – Vertical Termination	13
Examples of Venting Configurations	13
Planning Your Installation	14
Simpson Dura-Vent Direct Vent Parts Listing	15
Vent Restrictors	16
Horizontal Termination Installations	16
Vertical Termination Installations	18
Cathedral Ceiling Installations	20
Connecting The Gas Supply	21
Log Installation And Placement	22
Door Installation And Latch Adjustment	23
Adjusting The Primary Air For Combustion	24
<b>Operating Instructions</b>	25
Lighting Procedure	25
Shutdown Instructions	26
<b>Maintenance And Service Instructions</b>	27
General Venting Maintenance	28
Log Replacement	29
Gold Plated Trim	29
Door Gasket Replacement	29
Glass Replacement	29
Glass Door Replacement	30
Electrical Schematic	30
Fuel Conversion	31
General Layout	33
<b>KOZI DV1</b> Parts Listing	33
Warranty Information	35

# KOZI DIRECT VENT GAS STOVE

## SAFETY CERTIFICATION INFORMATION

Provided below is a copy of the **KOZI Direct Vent Freestanding Gas Stove** safety label. The safety label is located on the inside surface of the **right side door**.

**Note:** Due to constant development, **KOZI** units and technologies are consistently being upgraded. Please ensure that the label contained on this page is the same as the label on your gas appliance. If there are any discrepancies, the label presented below is correct.

WARNOCK HERSEY



Listed: Gravity Direct Vent Wall Furnace  
 Tested to: CAN1-2.19-M81, CGA IR No. 41  
 CGA IR No. 55, ANSI Z21.44b-1993  
 UL307B-95  
 Certified for: Canada and U.S.A.



Serial No. / No de serie



DO NOT REMOVE THIS LABEL / NE PAS ENLEVER CETTE ÉTIQUETTE

THIS GAS FIRED APPLIANCE HAS BEEN LISTED FOR USE WITH NATURAL GAS AND PROPANE

This Gas Fired Appliance Has Been Tested And Listed For Use In Manufactured Homes After First Sale

Cet Unité Au Gaz Est Testé Et Homologué Pour Maison Pre-Fabrique

NATURAL GAS STOVE: MODEL DVI-FS-NG

APPAREIL FONCTIONNANT AU GAZ NATUREL CONCU POUR ÊTRE POËLE: Modèle DVI-FS-NG

Minimum Supply Pressure: 5.0" w.c. / c.e.  
 Manifold Pressure: 3.5" high / 1.0" low (w.c. / c.e.)  
 Orifice Size: 35 DMS (0-4500 ft / 0-1372 M)  
 Input Maximum: 35,000 btu/h (10.25 Kw)  
 Input Minimum: 18,000 btu/h (5.27 Kw)  
 Output Fan On: 26,950 btu/h (7.89 Kw)  
 Output Fan Off: 26,250 btu/h (7.69 Kw)

Pression d'alimentation minimum  
 Pression à la tubulure d'alimentation  
 Grandeur de l'injecteur  
 Pression Maximum D'Arrivée Au Gaz 0-4500 Pi  
 Pression Minimum D'Arrivée Au Gaz 0-4500 Pi  
 Débit Calorifique - Ventilateur en Marche  
 Débit Calorifique - Ventilateur Éteint

PROPANE GAS STOVE: Model DVI-FS-LP

APPAREIL FONCTIONNANT AU GAZ PROPANE CONCU POUR ÊTRE POËLE: Modèle DVI-FS-LP

Minimum Supply Pressure: 10.5" w.c. / c.e.  
 Manifold Pressure: 10.0" high / 2.7" low (w.c. / c.e.)  
 Orifice Size: 51 DMS (0-4500 ft / 0-1372 M)  
 Input Maximum: 33,000 btu/h (9.66 Kw)  
 Input Minimum: 16,000 btu/h (4.68 Kw)  
 Output Fan On: 25,410 btu/h (7.44 Kw)  
 Output Fan Off: 24,750 btu/h (7.25 Kw)

Pression d'alimentation minimum  
 Pression à la tubulure d'alimentation  
 Grandeur de l'injecteur  
 Pression Maximum D'Arrivée Au Gaz 0-4500 Pi  
 Pression Minimum D'Arrivée Au Gaz 0-4500 Pi  
 Débit Calorifique - Ventilateur en Marche  
 Débit Calorifique - Ventilateur Éteint

Venting: Use Only Listed Direct Vent System And Components As Stipulated In The Owners's Manual. This appliance must be installed in accordance with the manufacturer's installation and operating instructions and with local codes, if any, if not, follow the current ANSI Z223.1 in the U.S.A. or the current CAN 1-B149 in Canada. This direct vent system appliance must be installed in accordance with the manufacturer's installation instructions and the manufactured home construction and safety standard title 24 CFR, part 3280, or the current standard for fire safety criteria for manufactured home installations,

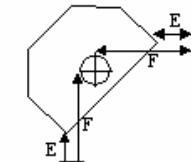
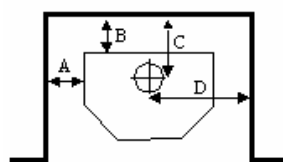
sites, and communities ANSI/NFPA 501A in U.S.A. and with CAN/CSA Z240 MH mobile home standard in Canada.  
 Evacuation: Utiliser Seulemets Tuyaux D'Evacuation Pour Le System D'Evacuation Tel Qu'indique Dans Le Manuel D'Installation. Cet appareil doit être installé en accord avec les instructions d'installation et operation du manufacturier et avec le code local, s'il y en a, sinon, suivre le code en cours ANSI Z223, 1 aux états-unis ou CAN1-B149 au Canada.

Electrical Supply

115V, 1.53 A, 60 Hz

Alimentation électrique

NOT FOR USE WITH SOLID FUEL. NE DOIT ÊTRE UTILISÉ AVEC UN COMBUSTIBLE SOLIDE.



A: 10" (254 mm)  
 B: 1" (25 mm)  
 C: 5.5" (140 mm)  
 D: 21.5" (546 mm)  
 E: 1" (25 mm)  
 F: 9" (228 mm)

Min. Ceiling Height From Top Of Unit /  
 Min. Plafond Hauteur En Haut De  
 L'Appareil: 38 inches (965 mm)

Alcove Installation / Installation L'Alcove  
 max. depth - 19" (483 mm) - profondeur max.  
 min. width - 43" (1092 mm) - largeur min.

Manufactured in Canada: APR Industries Ltd. Winnipeg, Manitoba :Fabrique Au Canada

## TYPICAL VENTING CONFIGURATIONS

---

In order to achieve proper and safe installation and operation, please ensure that the following list of components have been included in the packaging of your new **KOZI** Direct Vent Freestanding Gas Stove. Make sure you have everything you need prior to the installation. In the event of absent or damaged components, contact your **KOZI** dealer.

**Note:** The following list only covers the minimum parts required for the proper installation. Other parts may be required for your particular installation. (see page 15 for an additional listing of available parts.)

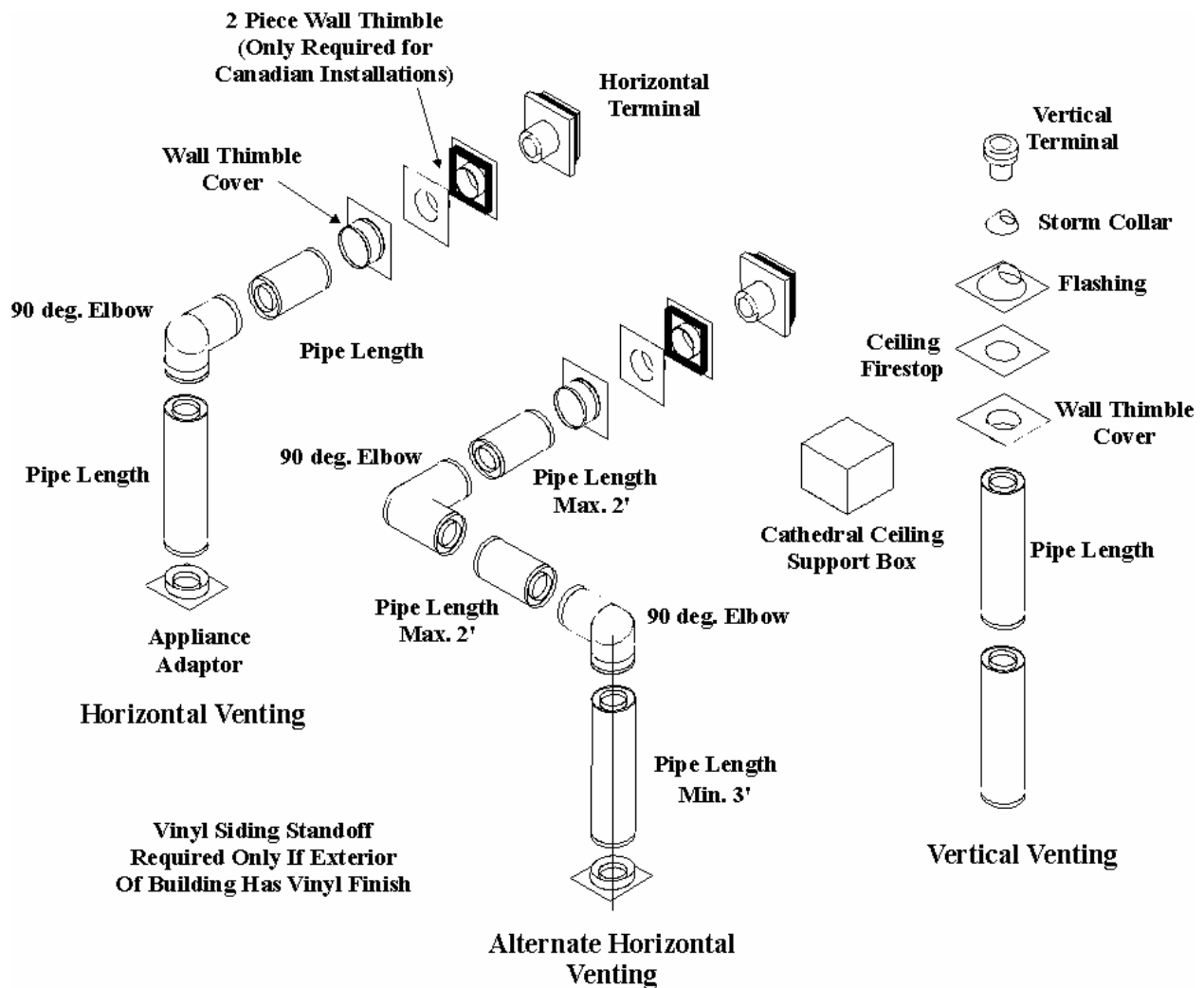


Figure: 2 - Typical venting components.

## INSTALLATION INSTRUCTIONS

---

---

### WARNING:

- This Stove Is A Gas-Fired Direct Vent Space Heater. Do Not Burn Wood Or Any Other Combustible Materials In This Appliance.
- Adults And Children Should Be Made Aware Of The Potential Hazards And Dangers Involved With This Stove. This Appliance Is Capable Of High Surface Temperatures. To Avoid Burns Or Ignition Of Clothing, Stay Away From The Unit While In Operation And Supervise Younger Children When They Are Occupying The Same Room As The Stove.
- Due To The High Temperatures, The Unit Should Be Located In A Light Traffic Area Away From Combustible Furniture And Draperies.
- Clothing Or Other Combustible Materials Should Not Be Placed On Or Near Any Surface Of This Appliance.
- Any And All Equipment Removed From This Unit For Maintenance Or Servicing Must Be Reinstalled Prior To Further Operation Of This Unit.
- It Is Extremely Important That The Control Compartment, Blower Area And Venting System Be Kept Clean. The Stove And Its Venting System Should Be Inspected Annually By Qualified Personnel. The Stove Area Must Also Be Kept Clean Of Flammable Materials, Vapors And Liquids.
- Under No Circumstances Should This Unit Be Modified Or Altered Whatsoever.
- This Stove Can And Must Only Be Attached To A Dedicated Venting Flue Pipe. Under No Circumstances Can More Than One Appliance Share The Same Flue Pipe Or Venting.
- Do Not Operate This Appliance If Any Or All Of The Components Have Been Submerged In Water. Contact A Qualified Service Person Immediately To Inspect The Unit And Replace The Components That Have Been Subjected To Water.
- Do Not Operate This Appliance With The Glass Door Removed, Cracked Or Broken. Replacement Of The Glass Or Any Other Door Components Should Be Attempted Only By A Qualified Technician.
- Avoid Slamming And Striking The Glass Door.

A Manufactured Home (Mobile Home) Installation Must Conform To The Manufactured Home Construction And Safety Standard, Title 24 CFR, Part 3280, Or In Absence, The Standard For Manufactured Home Installations, ANSI A225.1/NFPA 501A.

## GENERAL INFORMATION:

---

---

**Note:** Read these instructions carefully and completely. Failure to follow them could cause malfunction or damage to the appliance, property damage, personal injury or fatality. Failure to comply with these instructions could result in loss of insurance coverage and warranty.

- This appliance must be installed on a flat, solid, continuous surface. This may be on the floor or the raised surface of a platform to emphasise the visual enjoyment. If the unit is going to be installed on carpet, vinyl tile or any other combustible surface, it must be installed on a metal or wood panel large enough to encompass the entire area or the stove.
- The **KOZI** Direct Vent Freestanding Gas Stove has been approved for the installations displayed in the following diagram, Fig. 3. This unit has also been approved for installations employing millivolt thermostats for heat regulation. Installations in Mobile Homes have been approved as long as the appliance is securely bolted to the frame.
- The appliance installation must conform to all local codes, or in absence of such codes, with the current CAN/CGA B149 (Canada) or the National Fuel Gas Code ANSI Z223.1. A qualified technician must install this appliance.
- The appliance, when installed, must be electrically grounded in accordance with the local codes or, in the absence of these codes, with the National Electrical Code ANSI/NFPA 70-1987, or the current Canadian Electrical Code CSA.C22.1. This appliance is equipped with a three prong, grounded plug for your protection and safety. **DO NOT** cut or remove the ground prong from this plug.
- The product should be inspected for shipping damage prior to installation and serviced annually thereafter by a qualified technician.
- This appliance must be connected to the specified vent and termination cap to the outside of the building. Never vent into another room or inside a building. Ensure that the vent is properly jointed as per the instruction on page 17.
- To prevent injury or bodily harm, do not allow anyone who is unfamiliar with this appliance operate it without supervision.
- The efficiency rating of this appliance is a product thermal efficiency rating determined under continuous operating conditions and was determined independently of any installed system.

## LOCATING YOUR KOZI GAS STOVE

---

All clearances listed below and within the following section must be satisfied when selecting a location for your appliance. Maintaining these clearances will ensure that there will be adequate access for servicing and regular maintenance.

This unit has been approved for the following locations in your dwelling:

- |                                  |                        |
|----------------------------------|------------------------|
| A. Angled Across Corner          | E. Island Installation |
| B. Flush Against Wall And Alcove | F. Dividing Room       |
| C. Flat Against Wall And Corner  | G. Two Elbow Venting   |
| D. Flat Against Wall             |                        |

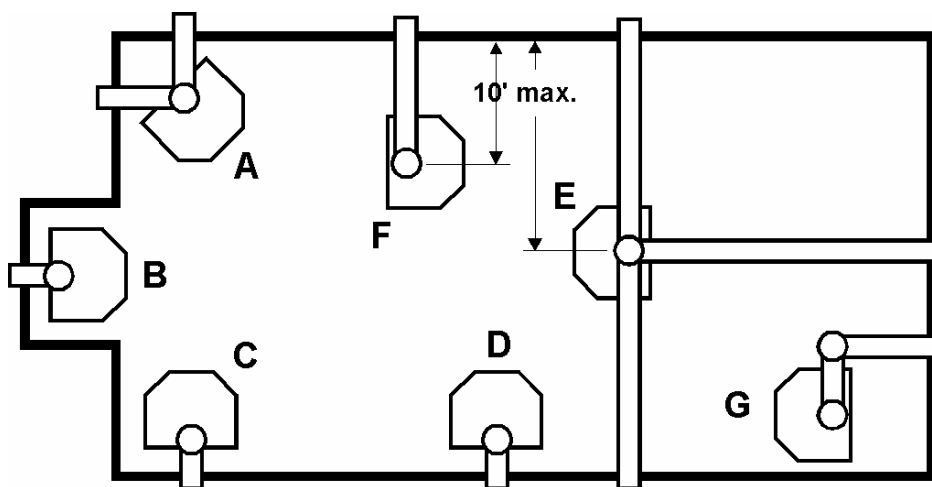


Figure: 3 - Various Approved Installation Configurations

## CLEARANCES TO COMBUSTIBLE SURFACES

---

The list of clearances provided are MINIMUM distances only. Measure the clearance area to both the appliance and the chimney connector. The greater measurement is correct if the two clearances do not coincide.

For example, if the unit is situated as indicated in Fig. 3 but the connector is too close, move the unit until the correct clearance is achieved.

This appliance may only be installed with the clearances provided as shown in Figs. 3 & 4. DO NOT combine clearances from one type of installation with another to achieve closer clearances.

## KOZI DIRECT VENT GAS STOVE

Use the minimum clearances provided below with the appropriate dimension shown in Fig. 2, also below.

A.	Side Wall To Unit	10" (254 mm)
B.	Back Wall To Unit	1" (25 mm)
C.	Back Wall To Flue Centreline	5.5" (140 mm)
D.	Side Wall To Flue Centreline	21.5" (546 mm)
E.	Side Wall To Unit	1" (25 mm)
F.	Side Wall To Flue Centreline	9" (228 mm)

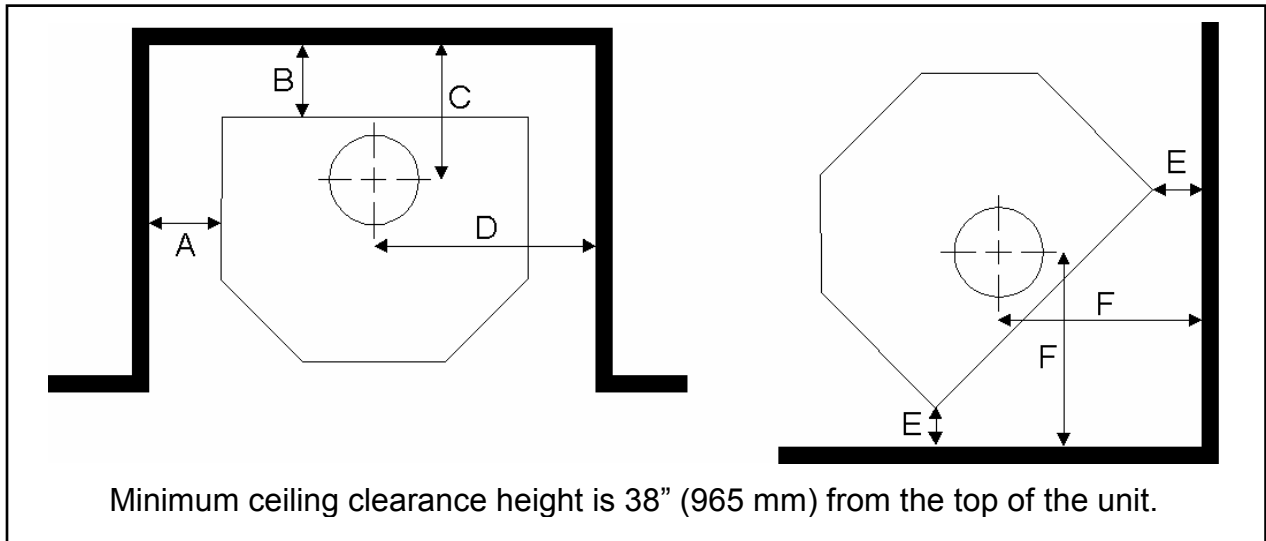


Figure: 4 - Minimum Clearances Diagram.

## COMBUSTION AND VENTILATION AIR

**Note:** The fresh combustion air required by this gas stove is drawn from outside the building through the outer flue. Therefore, there is no need for extra provisions to increase the air inside the room containing the appliance.

## VENTING

The instructions contained within the pages of this manual pertain to the installation of **Simpson Dura-Vent Direct Vent System model DV-GS**. This venting system, in combination with the **KOZI Direct Vent Freestanding Gas Stove, DV1**, have been tested and listed as a direct vent space heater by Warnock Hersey.

## KOZI DIRECT VENT GAS STOVE

---

### **IMPORTANT:**

Carefully Read All Instructions To Completion Prior To Installation. Failure To Follow These Instructions May Result In Safety Hazards, As Well As Voiding The Warranty. Ensure That All Venting And Clearances To Combustible Requirements Have Been Satisfied. Consult Your Local Building Codes Before You Begin The Installation.

**Note:** The location of the termination cap must satisfy the requirements set forth by the Exterior Vent Terminal Locations found in Fig. 3, on the next page.

## **INSTALLATION PRECAUTIONS:**

---

---

The Simpson Dura-Vent Direct Vent System is an engineered product that has been Designed and thoroughly tested for use with the **KOZI DV1**. The Simpson Dura-Vent warranty will be voided and serious fire, health and safety hazards may result from any of the following situations:

1. The utilization of any damaged Direct Vent component.
2. Unauthorized modification or alteration of any kind to the Direct Vent System.
3. Unauthorized installation of any Direct Vent System components not manufactured or approved by Simpson Dura-Vent and or APR Industries Ltd.
4. Installation other than as instructed in this manual or by Simpson Dura-Vent.

### **WARNING**

Always maintain required clearances to nearby combustibles to aid in the prevention of fire and safety hazards. Do not fill air spaces with insulation or any other combustible material.

The minimum clearance requirements between the outer wall of the vent pipe and nearby combustible surfaces is 1¼". Ensure that the vent terminal clearance requirements from decks, windows, soffits, gas regulators, air supply inlets and public walkways have been satisfied completely. The diagram on the following page, Fig. 5, demonstrates these clearance requirements, or alternately refer to your local building codes.

# KOZI DIRECT VENT GAS STOVE

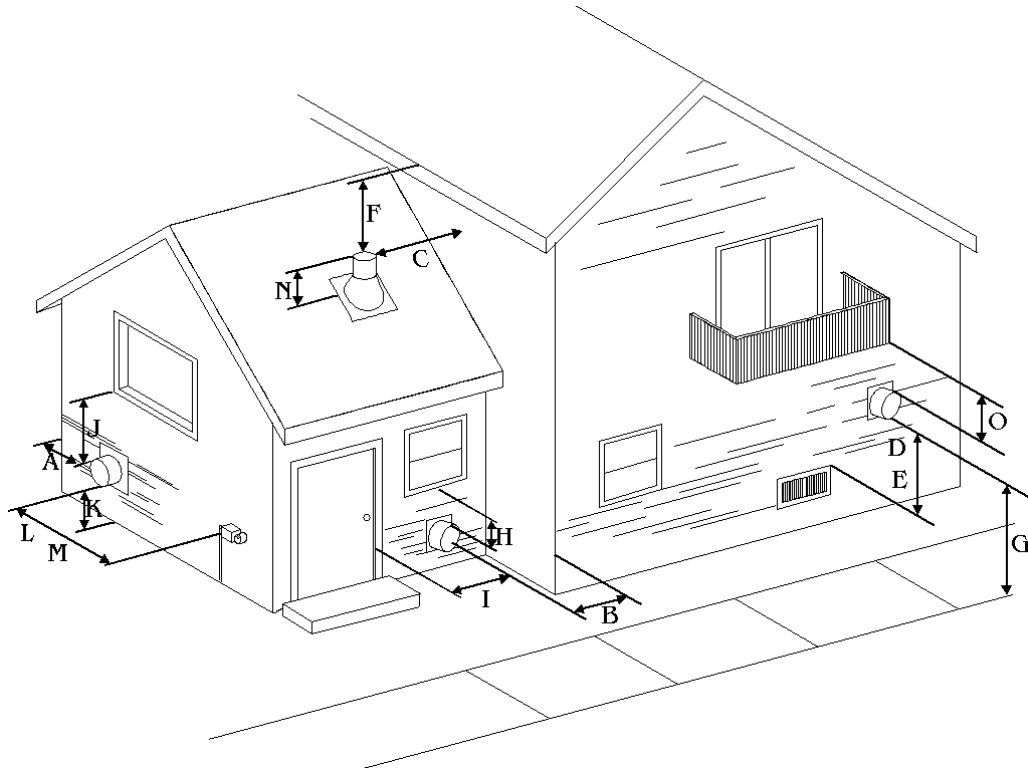


Figure: 5 - Vent terminal minimum clearance requirements.

- (A) 1 foot from outside corner walls.
- (B) 1 foot from inside corner walls or protruding obstructions.
- (C) 2 feet from adjacent walls, including neighboring buildings.
- (D) 1 foot from the sides and top of a non-mechanical combustion or ventilation air supply.
- (E) 6 feet from mechanical combustion or ventilation air supplies.
- (F) 18 inches to an unventilated soffit or to a ventilated soffit located above the terminal within a horizontal distance of two feet from the terminal clearance.
- (G) 7 feet above public walkways, unless fitted with a special heat shield.
- (H) 1 foot below windows that open.
- (I) 1 foot from doors and windows that open.
- (J) 1 foot from permanently closed windows.
- (K) 1 foot above grade level.
- (L) 3 feet above and horizontally from the centerline or the regulator in a regulator/meter assembly.
- (M) 6 feet from a gas service regulator vent outlet.
- (N) 16 inches above the roof surface.
- (O) 12 inches to the underside of any veranda, porch, deck or balcony that has a minimum of two open sides.

## VENTING CONFIGURATIONS: HORIZONTAL TERMINATION

The shaded area on the following diagram, Fig. 6, illustrates the allowable configuration and variations when installing venting with a horizontal termination.

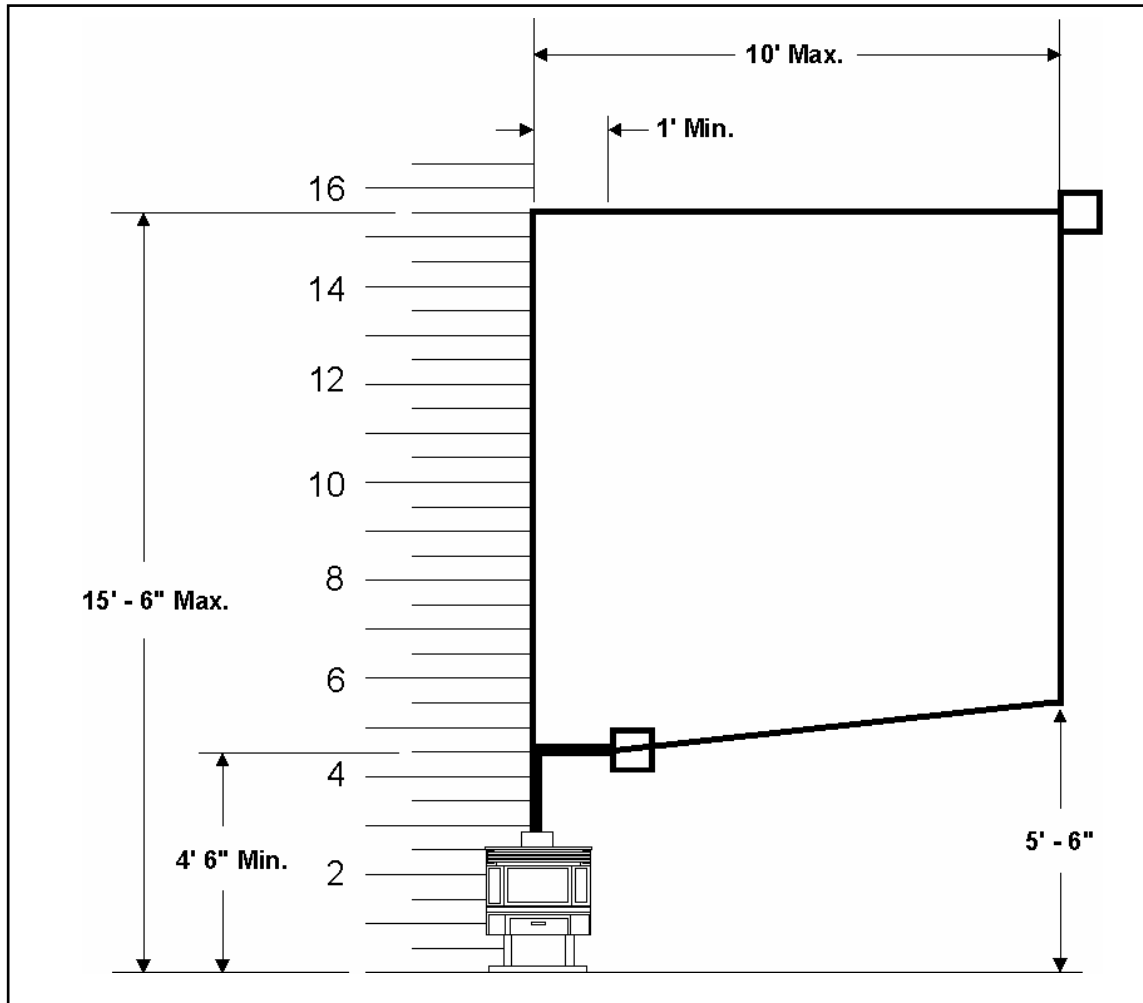


Figure: 6 - Illustration of allowable horizontal venting configurations.

Example:

A 10 foot vertical rise with a 10 foot horizontal run falls within the shaded area, and therefore, is an allowable installation.

Additionally, vent configuration consisting of a 3 foot minimum vertical vent height followed by a 90 degree elbow, maximum 2 feet horizontal vent run, another 90 degree elbow and another maximum of 2 feet horizontal vent run is also a tested and approved installation.

## VENTING CONFIGURATIONS: VERTICAL TERMINATION

The shaded areas of the two diagrams below illustrate the allowable venting configuration when installing straight vertical or offset vertical venting utilizing a vertical venting termination cap.

All Vertical And Offset Vertical Vent Installations Require The Use Of The Simpson Dura-Vent Vent Restrictor. If The Venting Is Enclosed In A Chase, (Minimum Size Of 9" X 9"), Maintain A 1¼" Clearance To All Combustibles.

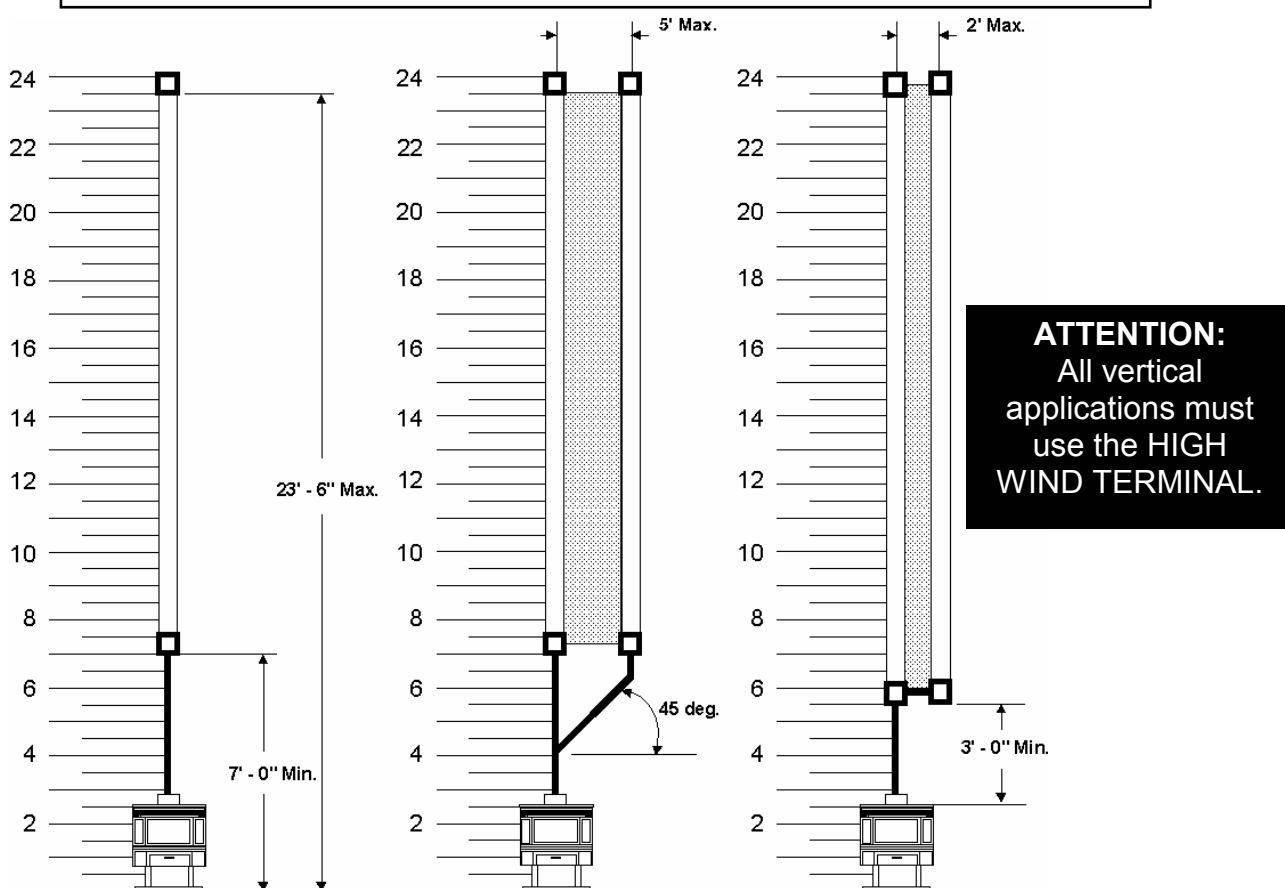


Figure: 7 - Illustration of allowable vertical venting configurations.

### Examples:

- **Venting with vertical termination.** A 10-foot vertical rise falls within the shaded area, and therefore is an allowable venting configuration.
- **Venting with an offset to vertical termination.** A 15-foot vertical rise with a 4-foot horizontal offset distance falls within the shaded area and is an allowable venting configuration.

### **IMPORTANT**

**The Gas Appliance And Venting System Must Be Vented Directly To The Outside Of The Building, In Accordance With All Regulatory Requirements, And Never Be Attached To A Chimney Serving A Separate Solid Fuel Or Gas Burning Appliance. Each Direct Vent Appliance Must Use Its Own Separate Vent System. Common Vent Systems Are Prohibited.**

#### **Safety Precautions For The Installer:**

1. Wear Gloves And Safety Glasses For Protection.
2. Exercise Extreme Caution When Using Ladders Or Working On Roof Tops.
3. Make Yourself Aware Of The Locations Of All Electrical Wiring Within The Walls And Ceiling.

**All Venting Installations Using Simpson Dura-Vent Direct Vent System Model DV-GS, Must Be In Compliance With The Venting Instructions And Requirements Specified By Simpson Dura-Vent.**

## **PLANNING YOUR INSTALLATION**

---

As mentioned on the previous pages, there are basically two types of Direct Vent System installations: vertical and horizontal termination. Confirm that the desired installation is allowed by referencing the maximum vertical rise and maximum horizontal run with Figs. 6-7.

During the process of planning your venting installation, you will be required to know the proper vent length to select according to your specific needs. For horizontal installations, determine the minimum clearance from the rear of the unit to the wall. Remember to take into consideration the thickness of the wall itself. **All horizontal venting must have a ¼" rise per foot of run towards the terminal cap.** Determine the amount of vertical rise required for "vertical-to-horizontal" type installations.

When working with vertical installations, determine the length of vent pipe required by measuring the distance from the unit flue outlet to the ceiling, the ceiling thickness, the vertical rise in the attic or second story, and an allowance to satisfy clearance requirements above the roofline.

If the application calls for a two story "through the floor" installation, the use of firestops is mandatory at each floor level. Additional pipe and elbows will be required if an offset is needed.

## **SIMPSON DURA-VENT DIRECT VENT PARTS LISTING**

---

---

The Simpson Dura-Vent Direct Vent System offers a complete line of component parts for all types of installations requirements. Many items are offered in decorative black or galvanized finishes. The galvanized pipe and fittings are used for concealed locations such as attics or in areas where corrosion is a consideration, such as above the roofline. Decorative trim kits are available for both wall thimbles and ceiling support boxes in brass or chrome.

<b>Simpson DV Part #</b>	<b>Description</b>
971	Horizontal Termination Kit A
973	Vertical Termination Kit
950	Vinyl Siding Standoff Kit
942	Wall Thimble
908B	6" Pipe Length (Black Finish)
907B	9" Pipe Length (Black Finish)
906	12" Pipe Length (Galvanized)
906B	12" Pipe Length (Black Finish)
904	24" Pipe Length (Galvanized)
904B	24" Pipe Length (Black Finish)
903	36" Pipe Length (Galvanized)
903B	36" Pipe Length (Black Finish)
902	48" Pipe Length (Galvanized)
902B	48" Pipe Length (Black Finish)
911B	11" – 14 5/8" Adjustable Pipe Length
945	45° Elbow (Galvanized)
945B	45° Elbow (Black Finish)
990	90° Elbow (Galvanized)
990B	90° Elbow (Black Finish)
981	Snorkel Termination Cap 36"
982	Snorkel Termination Cap 14"
984	Horizontal Square Termination Cap
991	Vertical Termination Cap
940	Round Ceiling Support Box / Wall Thimble
941	Cathedral Ceiling Support Box
953	Storm Collar
963	Firestop Spacer
988	Wall Strap
929	Restrictor Disc

**Note:** Simpson Dura-Vent reserves the right to change the above listing without notice.  
For current listings, contact your local Simpson Dura-Vent dealer.

## VENT RESTRICTOR

---

---

Vent restrictors are required in certain venting applications. This restrictor must be installed before connecting the vent pipe to vent terminal.

Referring to the figure below, slide the restrictor into the inner flue pipe and bend the side tabs appropriately to secure the part. Examine the following diagram for further detail.

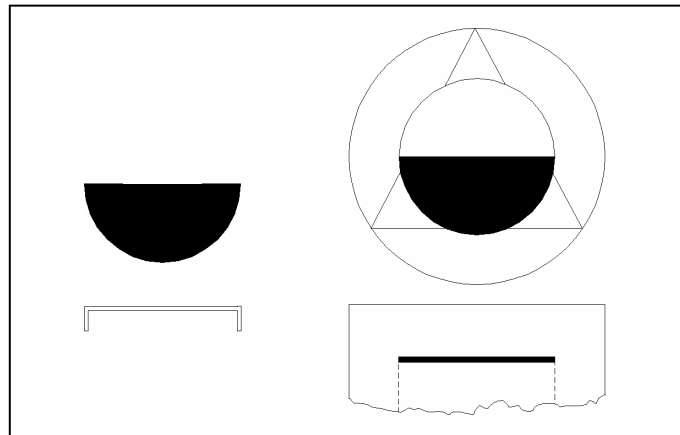


Figure: 8 - Drawing of venting restrictor and placement.

## HORIZONTAL TERMINATION INSTALLATIONS

---

---

1. Set the unit in the desired location, this location must satisfy all applicable codes and regulations. Check to determine if wall studs and roof rafters are clear of the venting path. Adjust the unit accordingly.
2. Simpson Dura-Vent Direct Vent pipe and fittings are designed with special twist lock connections for attaching the appliance flue outlet to the venting system. This special twist lock adapter has been installed on the appliance from the factory. Assemble the desired combination of pipe and elbows to the appliance adapter with pipe seams facing towards the wall or ceiling, depending on application.

### Twist Lock Procedure

Four indentations, located on the female ends of the pipes and fittings, are designed to slide straight into the male ends of adjacent pipes and fittings. Align the four indentations so that they match the four entry slots on the male ends, and then slide into slots. Push the pipe sections tightly together, then twist lock one section clockwise  $\frac{1}{4}$  turn, until a complete lock is achieved.

## KOZI DIRECT VENT GAS STOVE

---

**NOTE: Horizontal runs of venting must be supported every three feet. Wall strapping kits are available for this purpose.**

3. With the pipe attached to the stove, slide the unit into its correct location and mark the wall for a 10" x 10" square hole. The centre of the hole should coincide with the centreline of the horizontal incorporating the required inclination. Cut and frame the hole in the exterior wall where the vent will be terminated.

**NOTE: The horizontal run must possess a ¼" rise per foot of run towards the terminator. Never allow the venting to run downwards. This situation could cause excessive temperature build up and present the possibility of fire and safety hazards.**

4. Apply a thin bead of non-hardening mastic around the outer edges of the terminal to ensure a tight seal between the Stand-off and the terminal. Attach the Vinyl Siding Stand-off, if required, to the Horizontal Vent Terminal. Install the vinyl siding stand-off between the vent cap and the exterior wall and attach with the four wood screws provided. Seal around the vinyl stand-off on all four sides. The arrow on the exterior of the vent cap should be pointing upwards. Ensure that all clearances have been maintained. (The four wood screws should be substituted with the appropriate fastener particular to your buildings exterior finish.)

**NOTE: The venting terminal shall never be recessed into a wall or siding. The vinyl siding standoff kit is not mandatory on all horizontal termination installations, only when the exterior of the building possesses a vinyl siding finish.**

5. Prior to connecting the horizontal run of vent pipe to the vent terminal, slide the decorative wall thimble cover over the pipe, and attach with wood screws.
6. Slide the appliance and vent assembly towards the wall, carefully inserting the vent pipe into the vent cap assembly. It is important to insure that the vent pipe fits into the vent cap by a minimum overlap of 1-1/4 inches. Secure the connection between the vent pipe and the vent cap by attaching the sheet metal strips extending from the vent terminal assembly into the outer wall of the vent pipe. Use the two sheet metal screws provided for attaching the pipe and strapping. Bend any remaining strapping back towards the vent cap to conceal it behind the wall thimble.

7. Slide the decorative wall thimble up the wall surface and attach with screws provided. Apply the decorative brass or chrome trim kits if desired.

## VERTICAL TERMINATION INSTALLATIONS

---

---

1. Insure that the 1-1/4 inch clearances have been maintained to combustibles when passing through ceilings, walls, roofs, enclosures or attic rafters. **Do Not pack air gaps with insulation.** Refer to Fig. 7 for verification of maximum vertical rise of venting system and maximum horizontal offset limitations.
2. Set the gas appliance in its appropriate location. Use a drop plumb line from the ceiling to locate exactly the appliance flue exit. Mark the location where the flue will penetrate the ceiling. Drill a pilot hole at this location. Now drop a plumb line from the roof to the hole previously drilled in the ceiling, and mark the spot where the vent will penetrate the roof. To avoid having to cut any load bearing members of the roof rafters or ceiling joists, insure they are all out of the path of the venting. You may wish to offset the venting or relocate the appliance to accommodate these clearances.
3. To install the Round Support Box / Wall Thimble in a flat ceiling, cut a 10 inch square hole in the ceiling centred on the hole drilled in the previous step. Frame in the hole from the exterior surface.
4. Assemble the desired lengths of venting pipe and elbows necessary to reach from the appliance adapter up through the Round Support Box. Insure that all pipes and elbow connections are in the fully twist locked position and sealed.
5. Cut a hole in the roof centred on the small drilled hole placed in the roof during step 2. The hole should be of sufficient size to meet the minimum requirements for clearances to combustibles. Continue to assemble the lengths of pipes and elbows necessary to reach from the ceiling support box up through the roofline. Galvanized pipe and elbows may be used in the attic as well as above the roofline. The finish of galvanized pipe is more desirable above the roofline due to its higher corrosion resistance properties.
6. Slip the flashing over the pipe sections protruding through the roof. Secure the base of the flashing to the roof with roofing nails. Insure the

## KOZI DIRECT VENT GAS STOVE

---

roofing material overlaps the top edge of the flashing. Verify that the minimum clearance to combustibles is maintained at the roof line. Slide the storm collar over the pipe section and seal.

**NOTE: If an offset is necessary in the attic to avoid obstructions, it is important to support the vent pipe every three feet to avoid excessive stress on the elbows. Wall strapping kits are available for this purpose.**

7. Continue to add pipe sections until the height of the vent cap meets the minimum building code requirements described in the following chart, Roof Pitch Vent Height Table. Note that for steep roof pitches, the vent height must be increased. A poor draft, or down draft, can result from high wind conditions, nearby trees, adjoining rooflines, steep pitched roofs, and other similar factors. In these cases, increasing the vent height may resolve the problem. Twist lock the vent terminal.

**NOTE: For multi-story vertical installations, a ceiling firestop is required at the second floor, and each subsequent floor thereafter. The opening should be framed to 10" x 10" square inside dimensions.**

**Any occupied areas in the first floor, including closets and storage spaces, through which the venting passes, must be enclosed. The enclosure may be framed and paneled with standard building materials. DO NOT fill in any of the required air gaps with insulation.**

## CATHEDRAL CEILING INSTALLATIONS

---

---

1. Follow installation instructions outlined in steps 1 and 2 under vertical terminations.
2. Using the plumb line, mark the centreline of the venting system on the ceiling and drill a small hole at this location. From the roof, locate the drill hole and mark the outline of the Cathedral Ceiling Support Box.
3. Remove any shingles or other roof covering as necessary to cut the rectangular hole required for the support box. Cut the hole 1/8" larger than the support box outline.
4. Lower the support box through the hole in the roof until the bottom of the box protrudes at least two inches below the ceiling. Align the support box both horizontally and vertically with a level. Temporarily tack the support box in place through the inside walls and into the roof sheathing.
5. Use your tin snips to cut the support box from the top corners down to the roofline. Fold the resulting flaps over the roof sheathing. Run a small bead of non-hardening mastic prior to nailing. Insure a tight seal between the support box and the roof. Clear away any combustible material from the inside of the support box.
6. Complete the Cathedral Ceiling installation by following the same procedures outlined in steps 4 through 7 under vertical terminations.

## CONNECTING THE GAS SUPPLY

The gas connection provided with this unit is a flexible connector and is easily accessible through the rear, side and bottom of the stove or by opening the side door panel and reaching in through the access hole. The gas line can also be rigid pipe, if so desired. To make the installation easier, use the flexible connector and manual shutoff valves necessary, according to the local building codes. Insure that the minimum and maximum inlet pressures are correct as listed below in the table of appliance specifications.

**NOTE:**

The manifold pressure is controlled by an internal regulator and should be checked before firing, at the pressure test point provided. Supply pressure should also be checked prior to firing. These test points are the two 1/8" NPT plugged tapping located in the middle of the gas valve assembly. The supply / inlet side is marked "IN" and is located directly above the manifold / outlet point, labeled "OUT".

### Appliance Specifications

**Burner Orifice Inlet Sizes At Altitude**

Up To 4500 Ft.

Natural Gas	#35
Propane	#51
<b>Input Rating</b>	
Natural Gas	35,000 btu/h
Propane	33,000 btu/h

**Minimum Output Capacity With Blower Off**

Natural Gas	26,250 btu/h
Propane	24,750 btu/h

**Maximum Output Capacity With Blower On**

Natural Gas	26,950 btu/h
Propane	25,410 btu/h

**Supply Pressure**

Natural Gas	Min.	7.0" w.c.
	Max.	8.0" w.c.
Propane	Min.	10.5" w.c.
	Max.	13.0" w.c.

**Manifold Pressure**

Natural Gas	3.5"	+/- 0.2" w.c.
Propane	10"	+/- 0.2" w.c.

## LOG INSTALLATION AND PLACEMENT

---

---

### WARNING:

Dangerous Operating Conditions May Occur If The Logs Are Not Positioned In The Approved Positions Indicated Below.

Read The Following Instructions Carefully And To Completion. Refer To The Diagrams When Appropriate. If The Logs Are Broken Or Otherwise Damaged, Do Not Use This Appliance Until They Have Been Replaced. Broken Logs Can Interfere With The Pilot Operation And May Cause An Explosion.

1. Carefully remove the logset from its protective packaging. **This logset is extremely fragile, Handle With Care. Do Not Force into position.**
2. Gently place the rear of the logset on the burner stand. Slide the log towards the back of the burner until the bottom rear corner of the log is tight against the corner of the bend in the burner. (The flat side of the logset faces to back of the stove.) Centre the log to the burner. When properly positioned, the knot should be located on the top left corner of the log. Refer to Figures 9 & 10 for further details.

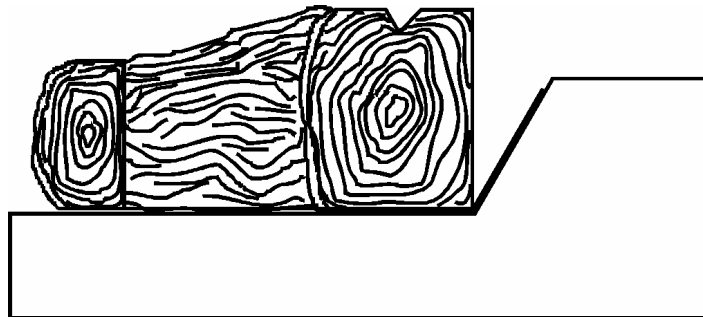


Figure: 9 - Side view of burner illustrating the proper log placement.

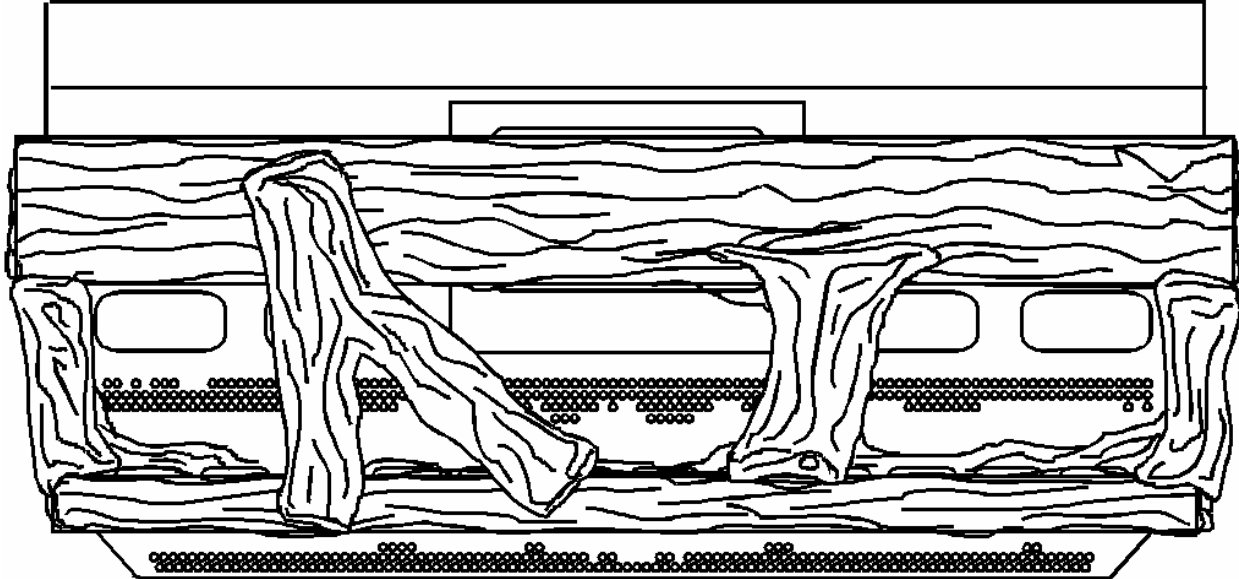


Figure: 10 - Top View of the log set and cross log placement.

---

## DOOR INSTALLATION AND LATCH ADJUSTMENT

---

The door fastens to the unit via the four latches located on the sides on the appliance, behind the side doors, two on each side. **The door must always be installed and properly fastened prior to and during all operation of the stove.** The only time when the door should be unlocked and removed is during regular maintenance and servicing.

Always have the side doors fully open when removing or installing the glass door, this will prevent any unnecessary scratching on the face of the finished door and glass.

### TESTING THE DOOR SEAL

Test the seal around the door by placing a piece of paper between the stove body and the door gasket, close and fasten the door and try to pull the paper free from the body. If the paper slides out, the door is incorrectly sealed. Turn the handle on the adjustable latching mechanism to tighten or loosen the latch accordingly.

## ADJUSTING THE PRIMARY AIR FOR COMBUSTION

---

The primary air setting on the burner has been set from the factory, but may need adjustment due to a number of factors; local gas supply variations, air supply or altitude. **The minimum allowable primary air opening for natural gas must be ¼”, and the minimum opening for propane is ½”.** Hazardous conditions may result if adjusted below minimum settings.

Primary air adjustments are only to be performed by a qualified technician or installer, as this procedure involves some disassembling of the burner, which must be reassembled prior to any further use. The factory settings should be adequate for most applications.

Periodic visual inspection of the burner will determine if it is operating properly. Once the pilot has stabilized and the burner switch is moved to the ON position, the burner should ignite within 5 seconds. Once lit, the burner flames should be mainly bright yellow in color, with a slightly bluish flame base. All of the burner ports should be burning, and none of the flames should be lifting off the burner once stabilized. The flame pattern should be dancing quite consistently, not slow or lazy. Primary air adjustment will control this effect if required, as more air allows more motion of the flames. Consult your service agent if any burner problems are detected.

**NOTE: Incorrect Settings Of Primary Air Control May Result In Improper Appliance Operation. All Damages Incurred Due To This Malfunction Are Not Covered Under Warranty.**

### ONE LAST CHECK

Before Leaving This Unit With The Customer, The Installer Must Ensure That The Appliance Is Operating Safely, Which Includes The Following:

- Checking For Gas And Air Leakage.
- Determine If Appliance Is Igniting And Operating Properly.
- Insure That Proper Air Settings Have Been Established For Clean Burning.
- Verify That The Appliance And Its Components Have Been Installed In Accordance With All Applicable Standards, Regulations And Local Building Codes.

#### CAUTION:

Any alteration of this product that causes soot build up or carboning, which results in damage to the exterior finish, is not the responsibility of the manufacturer.

## OPERATING INSTRUCTIONS

---

Prior to the initial ignition of this appliance, go through the following checklist.

1. Review and comprehend the following set of instructions before operating this appliance.
2. Ensure that all wiring is safe and enclosed to prevent the possibility of electrical shock.
3. Check and insure that there are no gas leaks.
4. Insure that the glass and door are properly fastened in the appropriate location. Never operate this appliance with the door open, removed or with damaged glass.
5. Examine all venting and terminal for obstructions.
6. Verify log positioning.
7. Never turn this unit on and off without a 60 second delay between operations.

### IMPORTANT

The Gas Valve Installed On This Unit Is Equipped With A Seated Cock Valve And Will Not Turn From Pilot To Off Without Being Depressed.

## LIGHTING PROCEDURE

---

1. Open control compartment door to gain access to the gas valve. Inspect and insure that the burner switch is in the OFF position before proceeding any further.
2. Check the position of the control knob. If it is found in the OFF position, proceed to step 4.
3. Rotate control knob clockwise to the OFF position.
4. Inspect the unit after allowing it to sit for five minutes prior to lighting. If you smell gas, follow the instructions located under the heading **What To Do If You Smell Gas**. If you do not detect the presence of gas, follow through with the remaining instructions.
5. Rotate the control knob to the PILOT position.
6. Depress the control entirely and hold this position while pressing the red igniter button until the pilot lights. Once the pilot flame is detected, continue to maintain the depressed position for approximately one-minute, and then release it. The pilot flame should continue to burn. If

- the pilot does not remain stable, repeat this step increasing the depression time before releasing.
7. Rotate the control knob counter-clockwise into the ON position. The control knob will not turn from Pilot to ON unless it is depressed slightly, **DO NOT FORCE.**
  8. The burner may now be turned on by turning the burner switch to ON.
  9. Adjust the variable gas regulator to establish the desired heat output or flame height.
  10. Close the control compartment door while operating the unit.

## SHUTDOWN INSTRUCTIONS

---

1. Open the control compartment door.
2. Turn the burner switch to the OFF position.
3. If a complete shutdown is required or desired, turn the control knob to the OFF position. Otherwise, this unit is completely safe if left on PILOT.

### YOUR FIRST FIRE

The paint used throughout this unit is not completely cured until it has been fired. To aid in this process, fire the unit on high. Keep the room well ventilated to discharge odors. You may have to repeat this process several times.

If the glass door requires cleaning, **Do Not Attempt To Clean While It Is Hot.** Allow the door glass to cool completely. Ask your local **KOZI** dealer for the appropriate GAS STOVE GLASS CLEANER.

## WARNING:

Children And Adults Should Be Alerted To The Potential Hazards Of High Surface Temperatures And Should Stay Away To Avoid Burns Or Ignition Of Clothing. Young Children Should Be Carefully Supervised When They Are In The Same Room As The Appliance While Operating.

## CAUTION:

Any Safety Screen, Shield Or Guard Removed For Servicing The Appliance Must Be Replaced Before Further Operation Of The Appliance Is Attempted.

Clothing And Other Flammable Materials Should Not Be Placed On Or Near The Appliance.

## MAINTENANCE AND SERVICE INSTRUCTIONS

---

- It is recommended that only a qualified service agent perform any maintenance and/or service. Contact your **KOZI** dealer for referrals.
- Always keep the general vicinity around the appliance clean and free of combustible materials, liquids, and vapours or other flammable products.
- Regularly inspect the burner for proper condition and position. Visually inspect the flames while burning, insuring that the flames remain stable and are not lifting or ghosting. Periodically check the pilot flames to ensure that they are strong blue flames approximately  $\frac{1}{2}$ " to  $\frac{3}{4}$ " long.
- Always turn off the gas valve before cleaning. When re-lighting the unit, refer back to the instructions on the previous pages. Maintain a clean, dust free burner environment and control compartment by vacuuming or brushing out annually. When the logs are being cleaned, use a very soft paintbrush, as the logs are fragile and can be easily damaged.
- Clean the glass doors only when the unit is cold, never clean when hot. Wipe glass, grill, door and appliance with a non-linting soft damp cloth. Avoid the use of abrasive cleansers. The plated door and grill may scratch if abrasives are used.
- This appliance and venting system must be inspected prior to use; and at least annually thereafter by a qualified technician or service agent, to ensure that the flow of combustion and ventilation air remains unobstructed. During the annual service calls the burner should be removed and cleaned. Take extra caution not to block the pilot assembly.

## GENERAL VENTING MAINTENANCE

---

---

An inspection of the venting system and its components should be conducted annually at the following areas:

1. In areas where corrosion is a factor, the venting should be inspected to ensure that rust holes or spots have not developed. In the case where certain components have rusted, they should be replaced as soon as possible.
2. Remove the vent terminal and using a bright flashlight look down the flue and remove any foreign debris. Ensure that the combustion and ventilation air flow passages are completely unobstructed.
3. Check for evidence of excessive condensation, such as water droplets forming in the inner liner, and subsequently dripping out of the joints. Continuous condensation can cause severe corrosion of vent caps, pipes and fitting. It can be caused from having extended horizontal runs, too many elbows, and exterior portions of the venting system being exposed to severe weather conditions.
4. Visually inspect all joints and fittings to verify that none of them have been disturbed, and consequently loosened. Also check mechanical supports such as wall straps for structural integrity.

## LOG REPLACEMENT

---

---

This appliance should never be operated with broken or damaged logs. If damaged logs are observed, turn off the gas valve and allow the appliance to cool completely prior to attempting to remove the glass door. Once allowed to cool, remove the broken logs carefully. **NOTE: The pilot flames are intense enough to cause severe burns if in close contact with skin or clothing. Extra caution should be taken when performing this operation.**

If replacement logs are required, you must use only the proper log sets, which have been tested and certified for use with the **KOZI DV1 Direct Vent Gas Stove**. For details on how to obtain replacement logs, contact the manufacturer or your local **KOZI** dealer.

## GOLD PLATED TRIM

---

---

---

The glass door and trim have been plated with 24 carat gold. This type of finish requires very little maintenance, however, if cleaning is required, use only a soft damp cloth to wipe the surfaces when the unit is cold.

If the finish on the door begins to tarnish or discolor, check the inside door seal and insure that the gasketing is intact. Replace if necessary.

### **DOOR GASKET REPLACEMENT**

---

---

If the inside rope gasket requires replacement, use 3/4" fiber glass braided rope gasketing only (see parts list for appropriate part numbers and or kit numbers).

### **GLASS REPLACEMENT**

---

---

This **KOZI DV1 Direct Vent Gas Stove** has been tested and certified with 5 mm high temperature ceramic glass panels for your protection. This Ceramic Glass has been engineered to withstand the highest temperatures your appliance will produce. If however, this glass is shattered or cracked due to impact or collision, replacement parts should only be sourced directly from authorized **KOZI** dealers or the manufacturer.

The door glass is not sold separately as each replacement must be accompanied by a new gasket set, and properly sealed for safety and warranty reasons. Follow the Glass Door Replacement instructions exactly.

### **GLASS DOOR REPLACEMENT**

---

---

1. Begin replacement by removing the glass door completely from the stove. This is accomplished by releasing all 4 door latches. **NOTE: This operation should not be attempted unless the unit is completely cool. Support the door while removing, do not allow the door to drop against any solid surfaces.**
2. Replace damaged door with a new KOZI DV1 door only. Check the gasketing material and ensure proper condition. Replace if necessary.
3. Reinstall the door onto the unit and check that the door gasket properly seals the door. Adjustment of the door latches may be required to achieve a proper seal around the door.

## WARNING:

Any component parts of this gas fired appliance should only be replaced with an authentic replacement part supplied by an authorized **KOZI** dealer or direct from the manufacturer. The use of substitute parts can alter the performance characteristics of this unit and could cause serious health and safety conditions to arise.

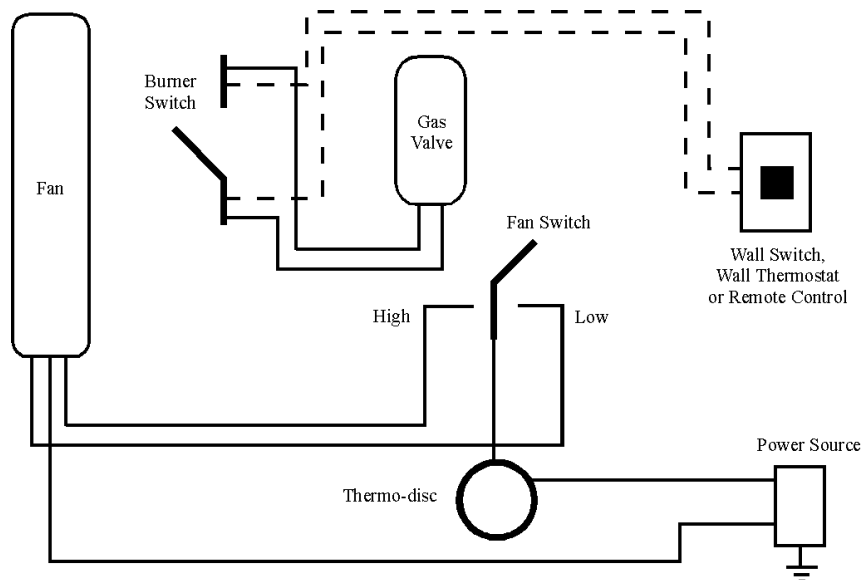


Fig. 12: Schematic Diagram of **KOZI DV1** Electrical System

## FUEL CONVERSION INSTRUCTIONS

It is recommended that a qualified service agent, technician or your local **KOZI** dealer should conduct all conversion attempts.

## WARNING:

Read the following instructions to completion prior to starting the conversion. Leakage testing must be performed at every gas connection, which has been altered. This can be done through instrument and/or soap testing.

## Pilot Orifice

1. Using a wrench, unscrew the Pilot Hood from the Pilot Assembly.
2. Carefully remove the Pilot Hood allow the removal of the Pilot Orifice. (See Figure 12 below)
3. Remove the orifice and replace it with the new orifice supplied in the conversion kit.

4. Replace Pilot Hood and tighten securely.
5. Test for gas leakage at all pilot connections.

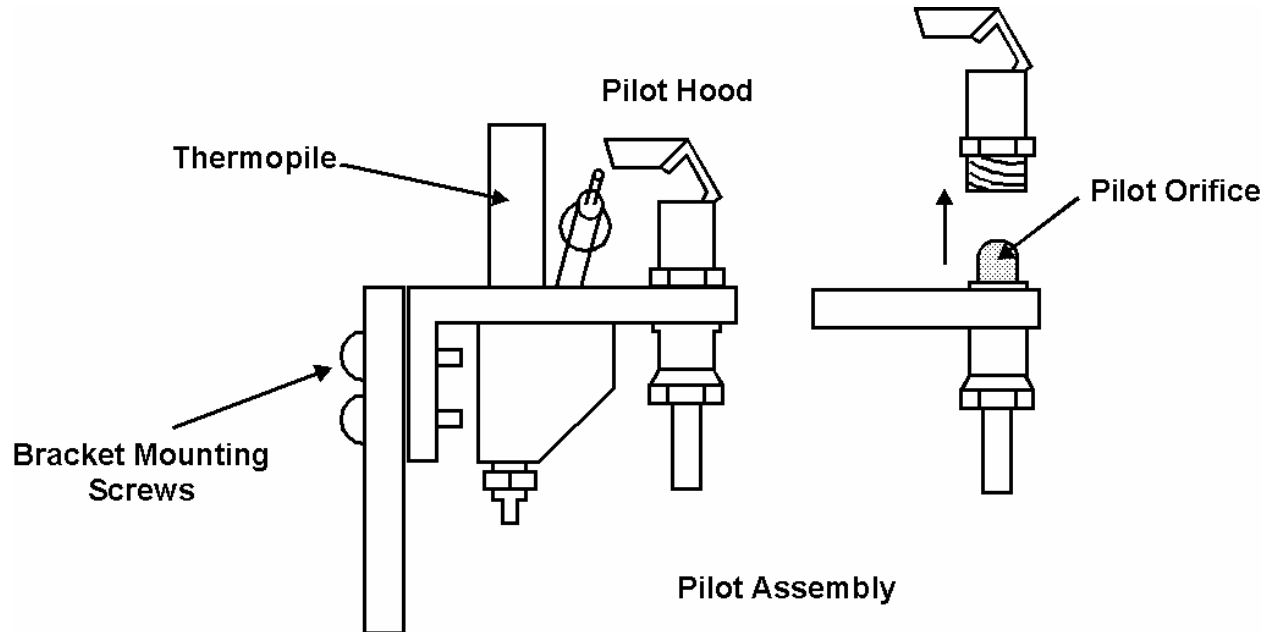


Figure 13: Schematic illustration of the Pilot Assembly and components.

## **BURNER ORIFICE**

---

1. Open front glass door by following the instructions supplied in the owner's manual.
2. Remove the burner assembly by lifting the front edge slightly, and pull the entire burner assembly forward to release from the orifice assembly.
3. Remove orifice support bracket and loosen orifice by holding the brass elbow fitting tight while turning the orifice with a wrench.
4. Remove and replace burner orifice with the replacement supplied in the conversion kit.
5. Adjust the primary air setting on the burner venturi for the type of fuel that you are converting to. (Approximately  $\frac{1}{4}$ " – NG,  $\frac{1}{2}$ " – LP)
6. Remove the access panel from the burner prior to replacing into the unit, as this allows for proper alignment of the burner to the orifice. Ensure that the burner manifold tube aligns closely to the orifice. (Loosening of the orifice support might be required, be sure to tighten again before use.)
7. Test all applicable connections for gas leakage prior to replacing the access panel.

## **GAS VALVE REGULATOR**

---

1. Depress and turn gas valve knob to “OFF” position.
2. Remove existing regulator and gasket from control by removing the two screws. Discard.
3. Install the new RB regulator and gasket with the new screws from the kit. Tighten the screws securely.
4. Relight the appliance by following the operating instructions.
5. Test for leaks around the regulator using instrument or soap test solution with the main burner “ON”.

## **GENERAL NOTES**

---

Be sure to attach the appropriate conversion plate to the inside of the right side panel indicating clearly all the applicable information.

Check the new regulator for proper operation on both HI and LO settings.

If there are any problems encountered during the conversion, please contact a **KOZI** dealer immediately.

## **General Layout**

---

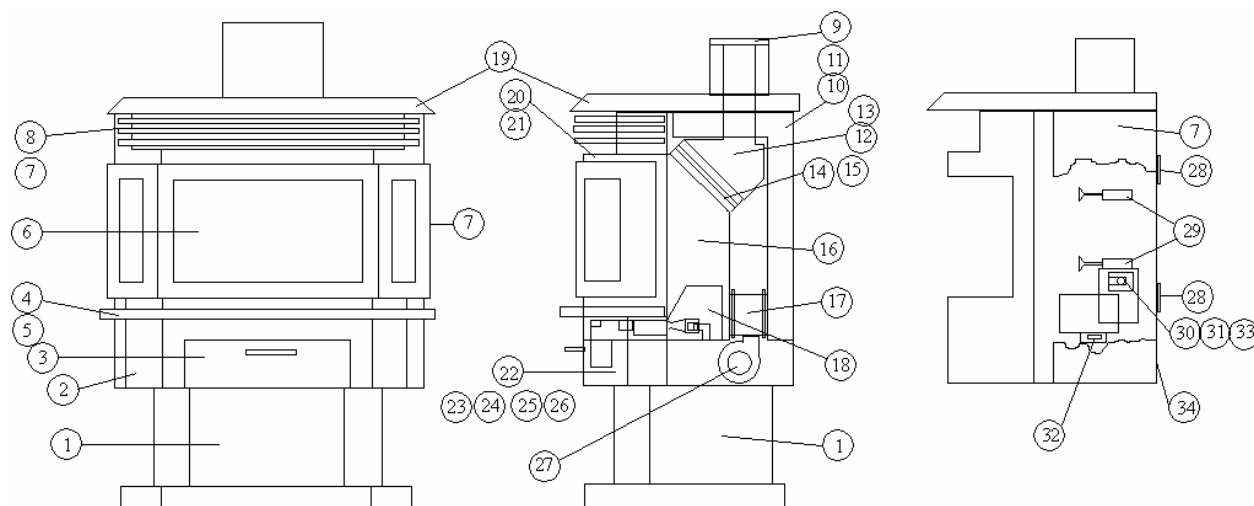


Figure 14: General Layout of **KOZI** DV1

<b>Item Number</b>	<b>Part Number</b>	<b>Description</b>
1	DV1-1	Pedestal Base Assembly
	DV1-101	Pedestal Base

## KOZI DIRECT VENT GAS STOVE

---

	DV1-102	Pedestal Post
	DV1-103	Support Channel
	DV1-104	Trim Moulding
	DV1-105	<b>KOZI</b> Logo
2	DV1-2	Burner Body Assembly
3	DV1-3	Control Door Assembly
	DV1-301	Door Handle
4	DV1-4	Hearth
5	DV1-5	Door Support
6	DV1-6	Glass Door Assembly
	DV1-601	Door Frame
	DV1-602	Center Glass Holder
	DV1-603	Side Glass Holder
	DV1-604	End Glass Holder
	DV1-605	Door Rope
	DV1-606	Glass Gasket
	DV1-608	Door Latch Assembly
	DV1-609	Side Glass
	DV1-610	Center Glass
7	DV1-7	Side Door Panel
Item Number	Part Number	Description
8	DV1-8	Grill Assembly
9	DV1-9	Flue Adapter
10	DV1-10	Airbox Assembly
11	DV1-11	Airbox Gasket
12	DV1-12	Heat Exchanger Assembly
13	DV1-13	Heat Exchanger Gasket
14	DV1-14	Heat Shield
15	DV1-15	Heat Shield Insulation
16	DV1-16R	Right Side Heat Shield
	DV1-16L	Left Side Heat Shield
17	DV1-17	Airtube Assembly
	DV1-1703	Airtube Gasket
18	DV1-18	Burner Assembly
	DV1-1802	Burner Cover Plate
	DV1-1808	Front Log Holder
19	DV1-19	Lid Assembly
20	DV1-20	Explosion Gate Assembly
	DV1-2003	Explosion Gate Gasket
21	DV1-21	Explosion Gate Bracket
22	DV1-22	Mounting Plate Assembly
	DV1-2202	Gas Valve Mounting Bracket
	DV1-2203	Gas Orifice Mounting Bracket
	DV1-2204	Pilot Assembly Mounting Bracket

## KOZI DIRECT VENT GAS STOVE

---

23	DV1-23	Valve Plate Gasket
24	DV1-24	Control Panel Assembly
	DV1-2402	Door Magnet
	DV1-2403	Piezo Igniter
	DV1-2404	Burner Control Switch
	DV1-2405	Fan Control Switch
25	DV1-25	Gas Valve Regulator
26	DV1-26	Pilot Assembly
27	DV1-27	Dual Speed Blower
28	DV1-28	Hinge
29	DV1-29	Glass Door Latch
30	DV1-30	Thermal Disc Mounting Bracket
31	DV1-31	Thermal Disc Fan Control
32	DV1-32	Side Door Mounting Bracket
33	DV1-33	Thermal Disc Cover
34	DV1-34	Fan Cover
Misc.	DV1-LOG	DV1 Ceramic Log Set

## WARRANTY INFORMATION

---

---

### General Statement

APR Industries Ltd. manufactures its products to the highest standards available at the time of printing. Our Total Quality Management system calls for production inspections throughout the various stages of manufacturing, as well as the firing of each unit prior to leaving our plant. APR Industries Ltd. is very pleased to offer the following terms and conditions of warranty to the **original purchaser** of this **KOZI DV1 Direct Vent Gas Stove**.

### Limited Lifetime Warranty

APR Industries Ltd. will warrant all Combustion Chambers and Heat Exchangers to be free of defects concerning workmanship and material from the original purchase date.

**Note: Overfiring of this or any other appliance can cause serious damage and it is the responsibility of the installer to ensure that the unit is firing correctly and in accordance with the applicable rating plate.** Discoloration and expansion movement of certain parts is normal and will not be covered under warranty.

### Gas Valve and Electrical Components

Gas and electrical components such as gas valves, igniters, switches, fans, thermodiscs, etc are covered under warranty for a period of 1 year from the original purchase date.

### Venting Components

All venting components are covered by the venting supplier warranty, please see applicable documentation. Please contact your local venting supplier directly.

### Conditions and Exclusions

The limited warranty covers defects in materials and workmanship as long as the heater has been installed and operated in accordance to the instruction manual. Warranty is void if this heater is misused. It is the option of APR Industries whether to repair or replace any or all parts in question. All shipping costs to and from the factory will be the responsibility of the consumer.

**This warranty will not be extended to Paint, Glass, Logs, Gaskets, Burners, Trim, or any part that has been modified or tampered with.**